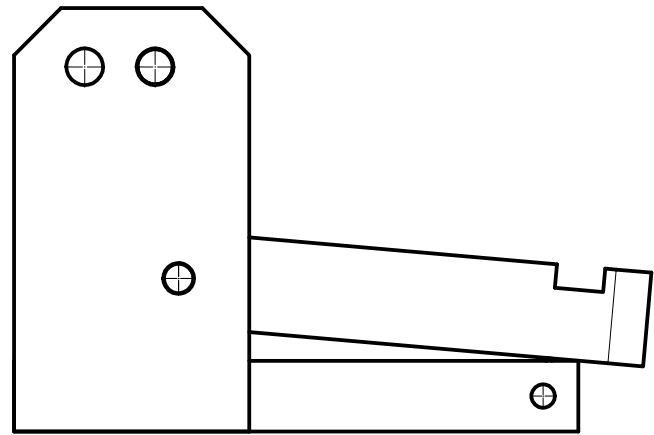
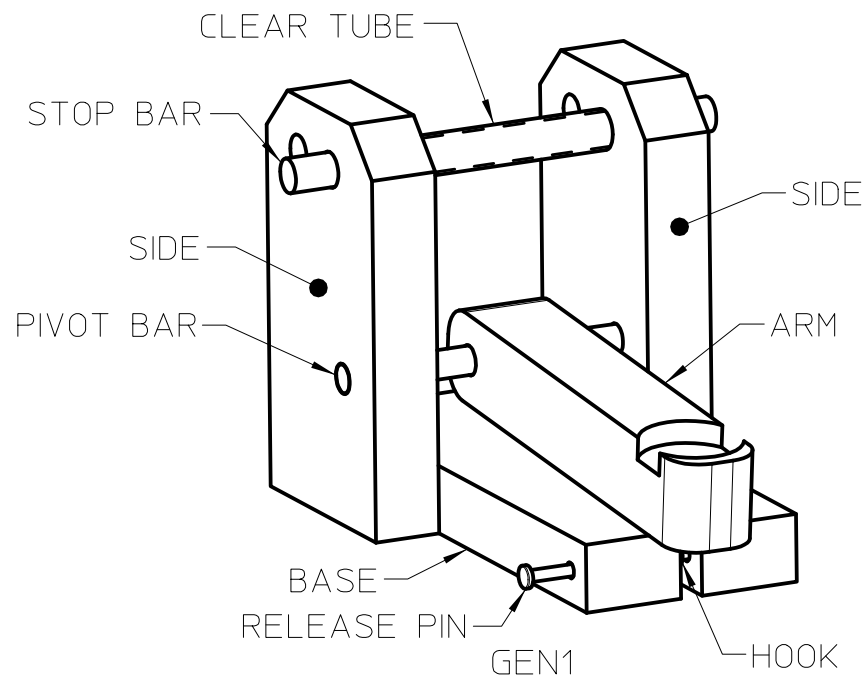
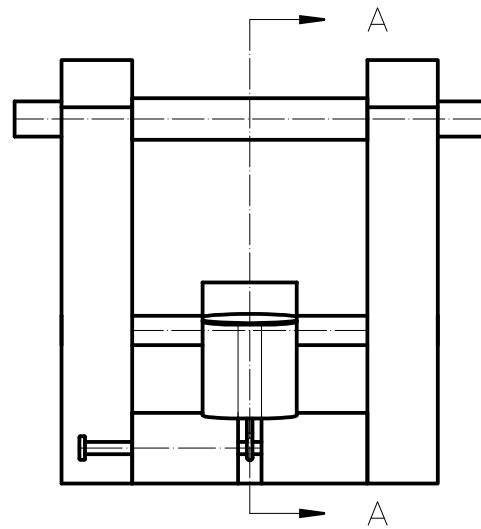


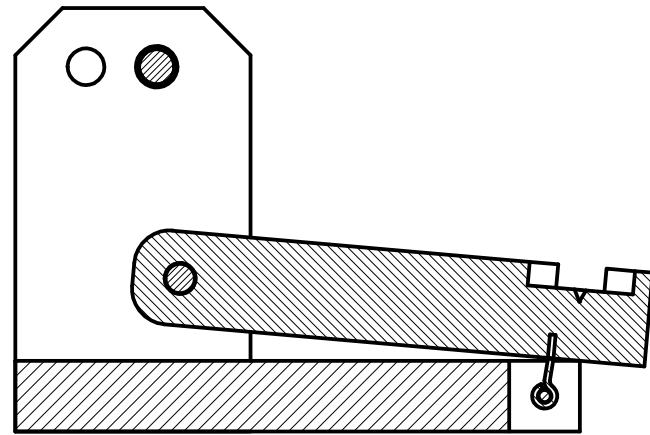
TOP1



FRONT1

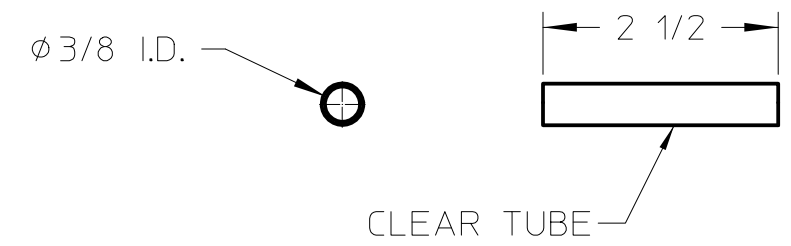


RIGHT1

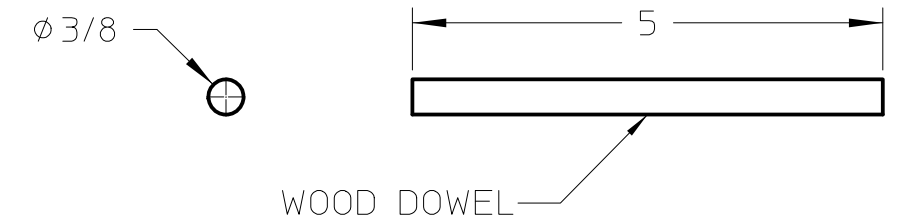


SECTION A-A

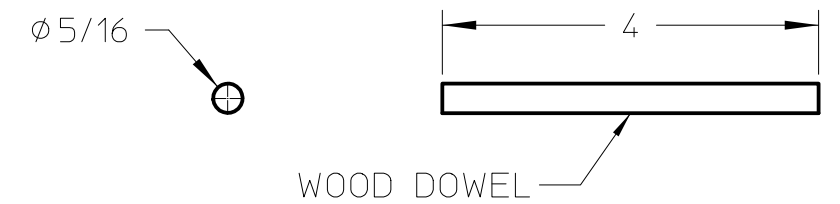
CLEAR TUBE



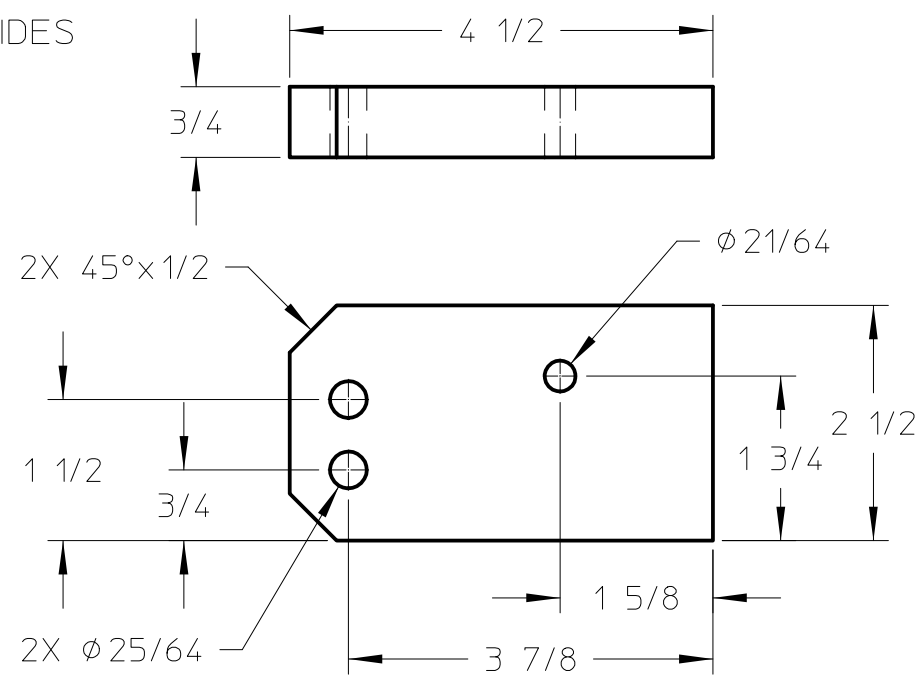
STOP BAR



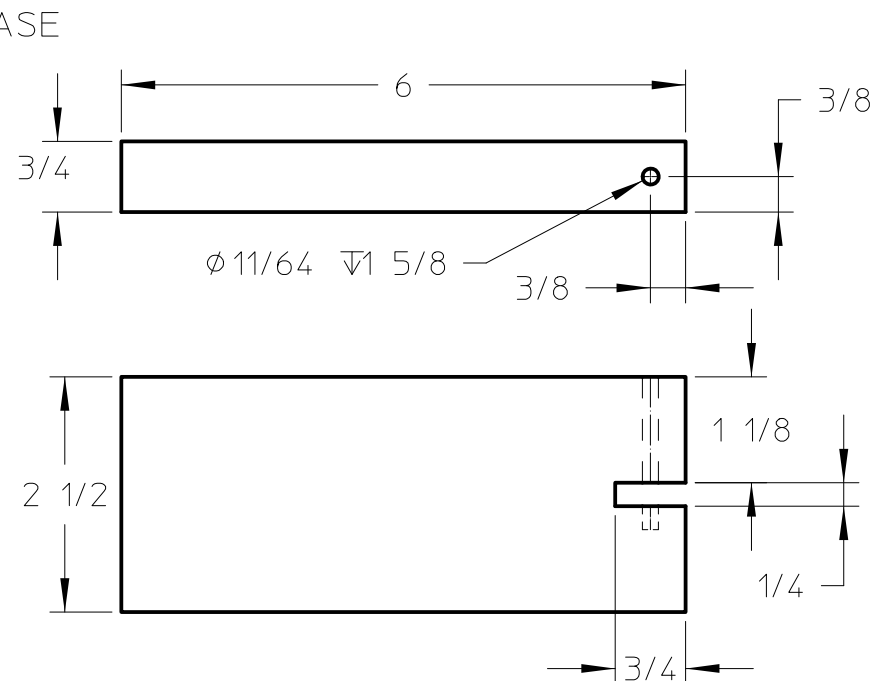
PIVOT BAR



SIDES



BASE



ARM

