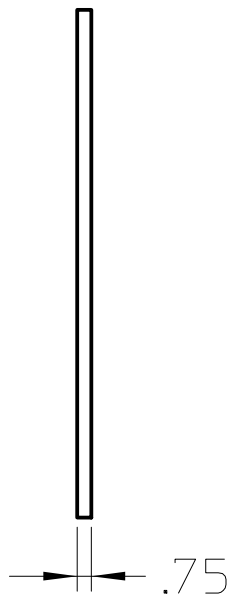


(3/4" PLYWOOD)

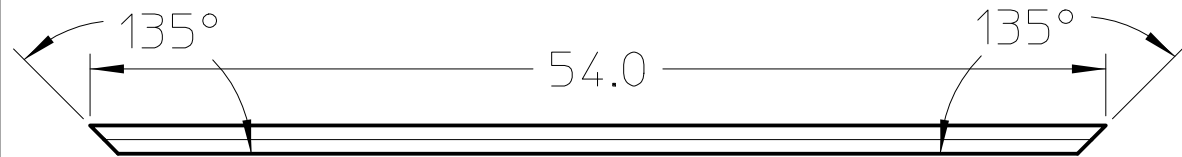
27.0

51.0

TOP (2 REQ'D)

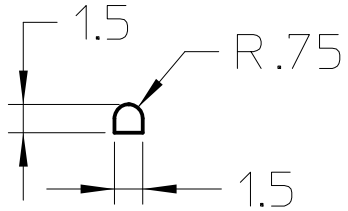


.75



54.0

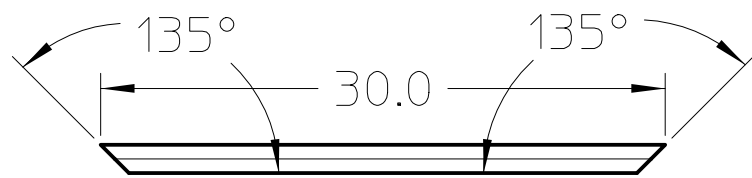
TOP TRIM (2 REQ'D)



1.5

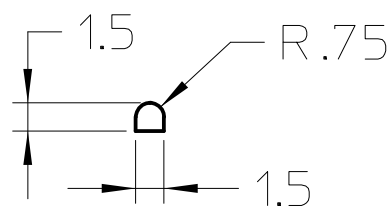
R.75

1.5



30.0

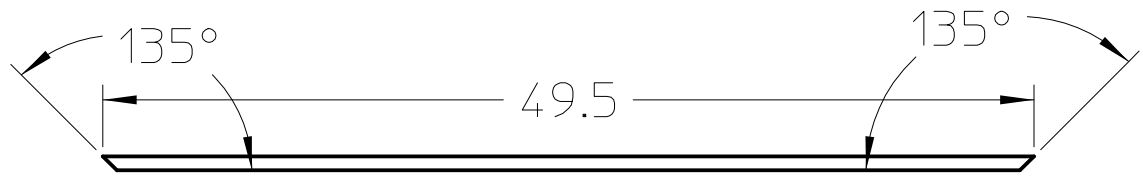
TOP TRIM (2 REQ'D)



1.5

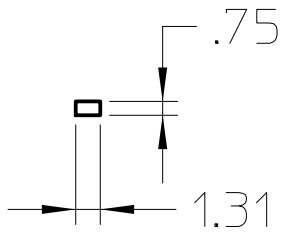
R.75

1.5



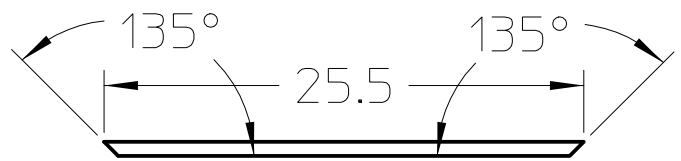
49.5

MOUNTING PLATE - TRIM (2 REQ'D)



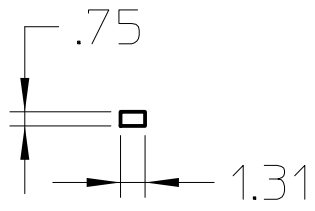
.75

1.31



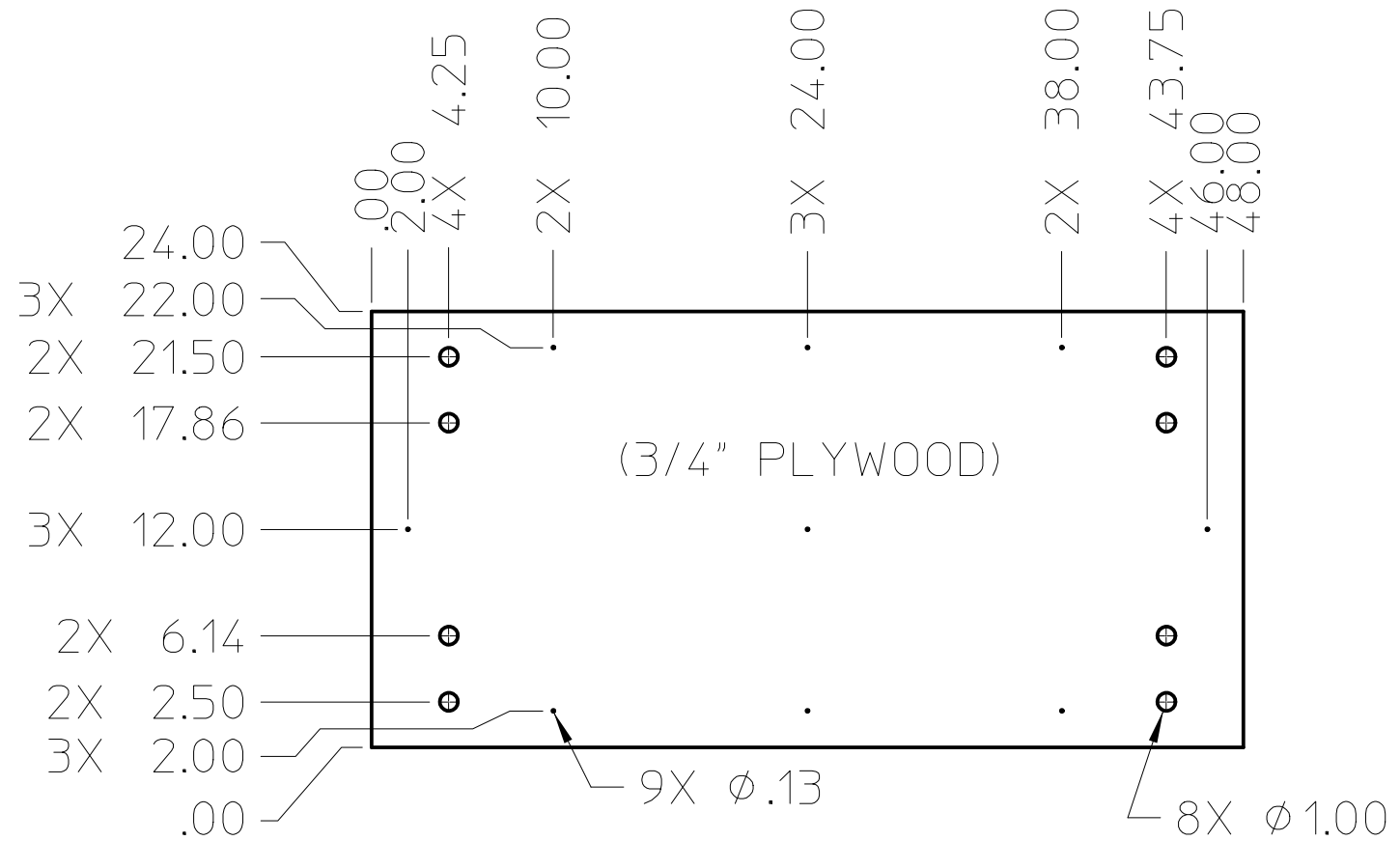
25.5

MOUNTING PLATE - TRIM (2 REQ'D)



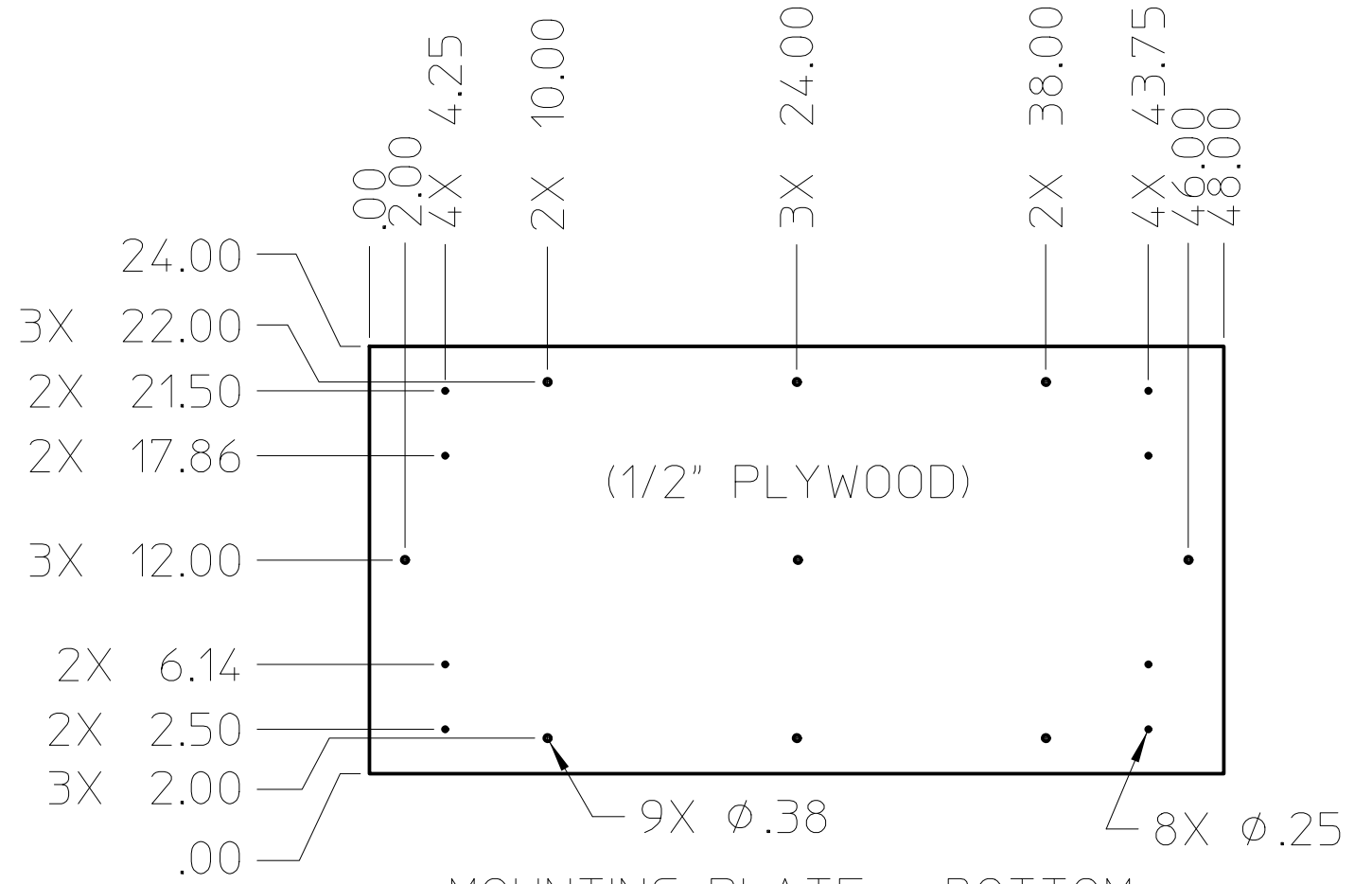
.75

1.31



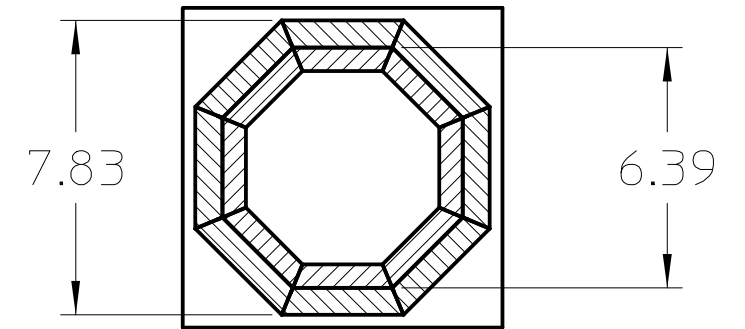
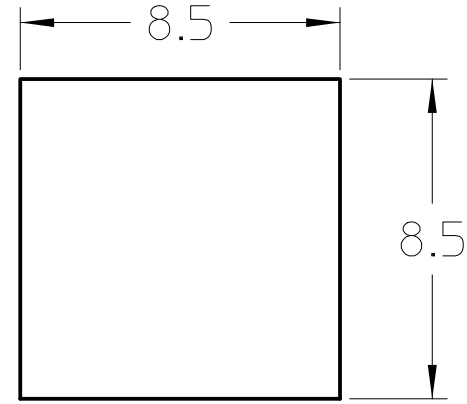
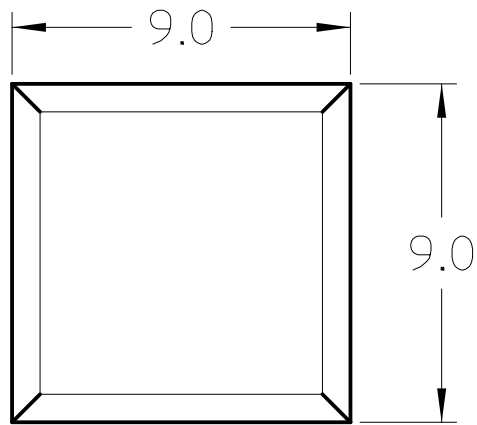
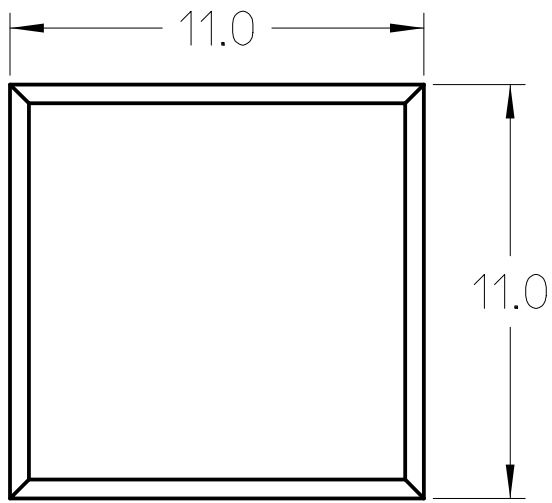
(3/4" PLYWOOD)

MOUNTING PLATE - TOP

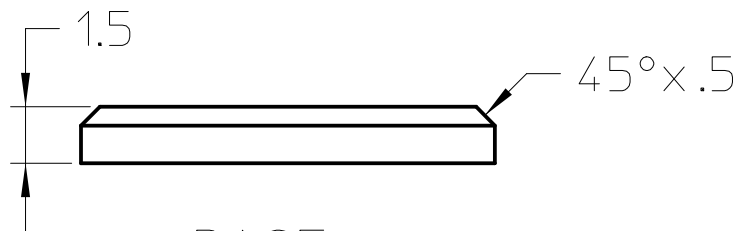


(1/2" PLYWOOD)

MOUNTING PLATE - BOTTOM



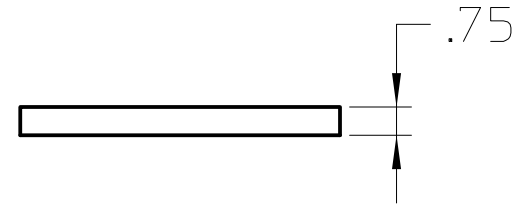
SECTION A-A



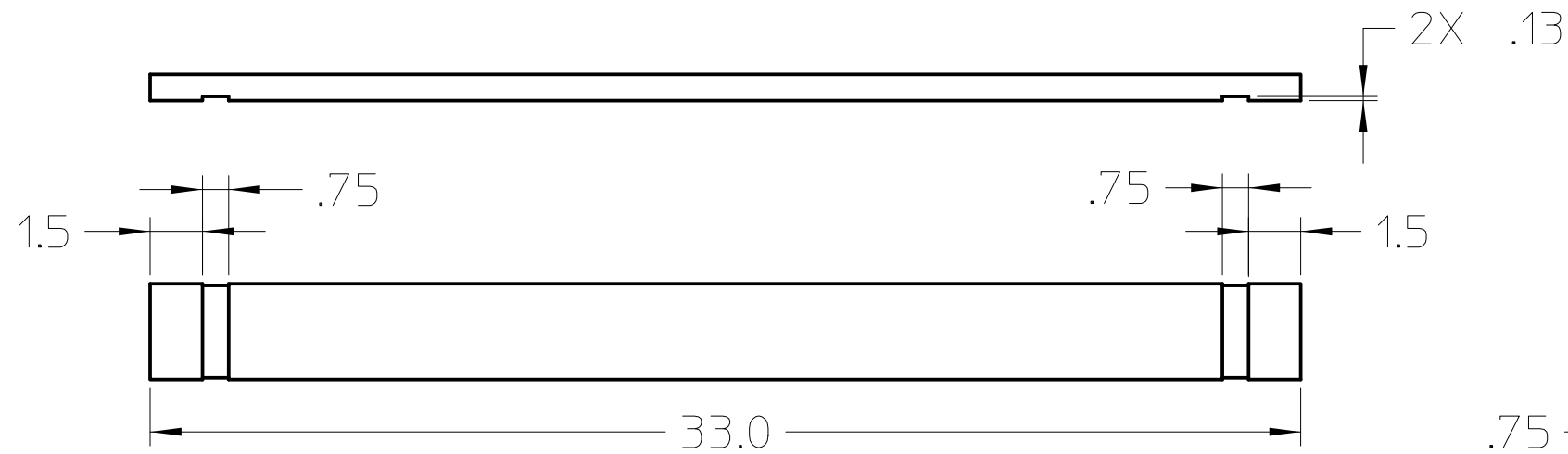
BASE



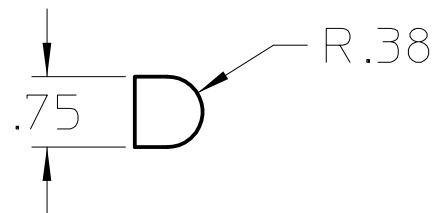
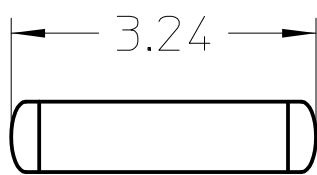
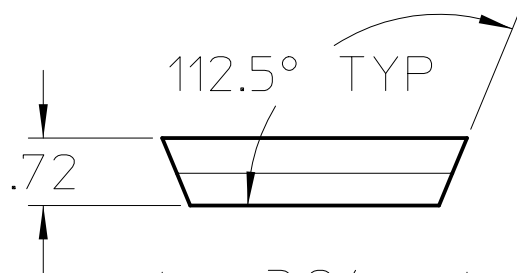
BASE CAP



COLUMN CAP



COLUMN SIDE (8 REQ'D)



WALNUT TRIM (16 REQ'D)

