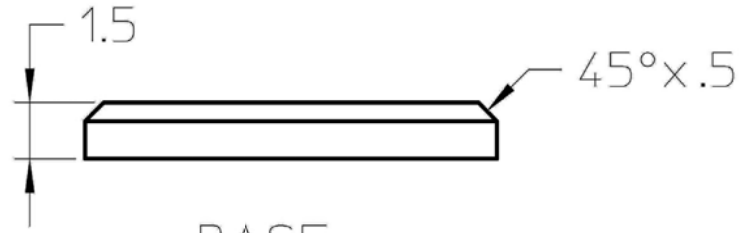


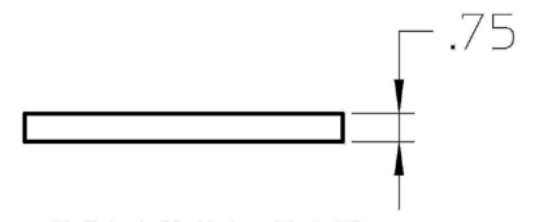
SECTION A-A



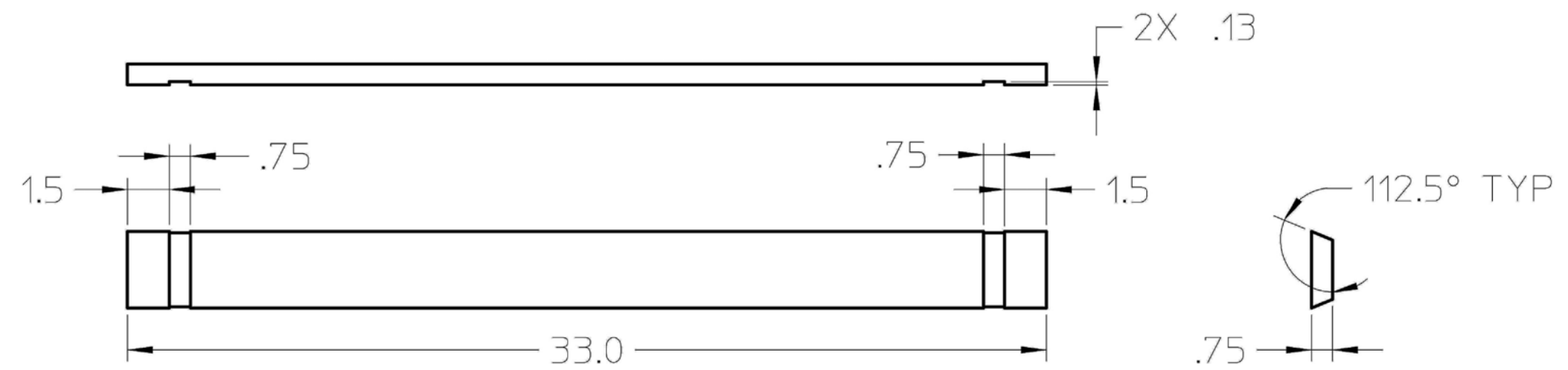
BASE



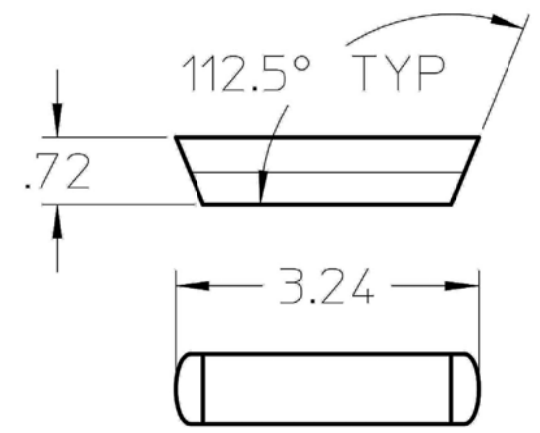
BASE CAP



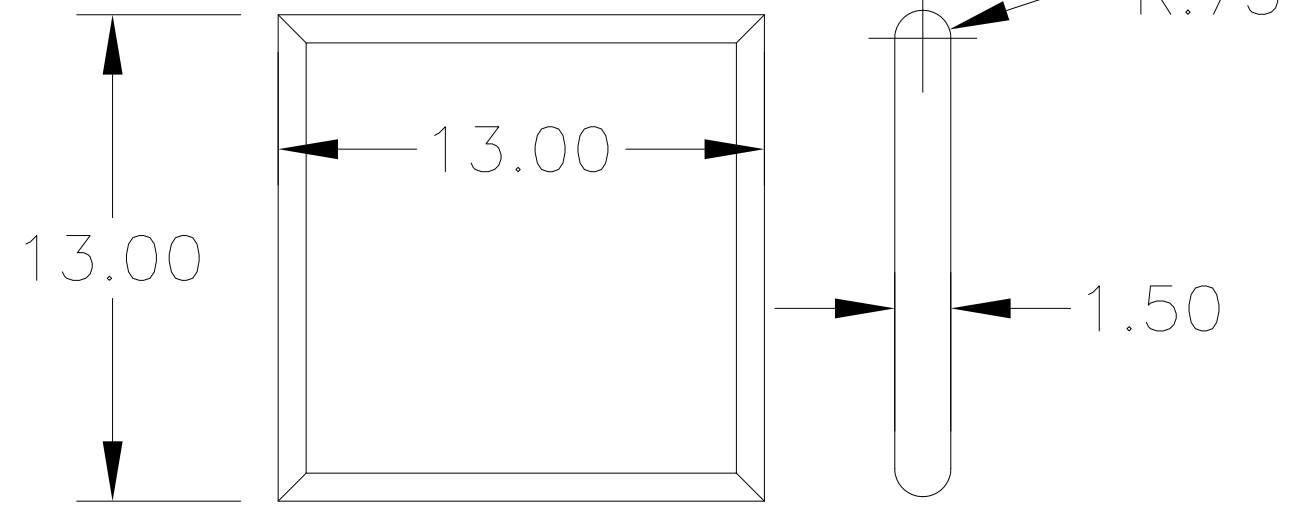
COLUMN CAP



COLUMN SIDE (8 REQ'D)



WALNUT TRIM (16 REQ'D)



TOP

