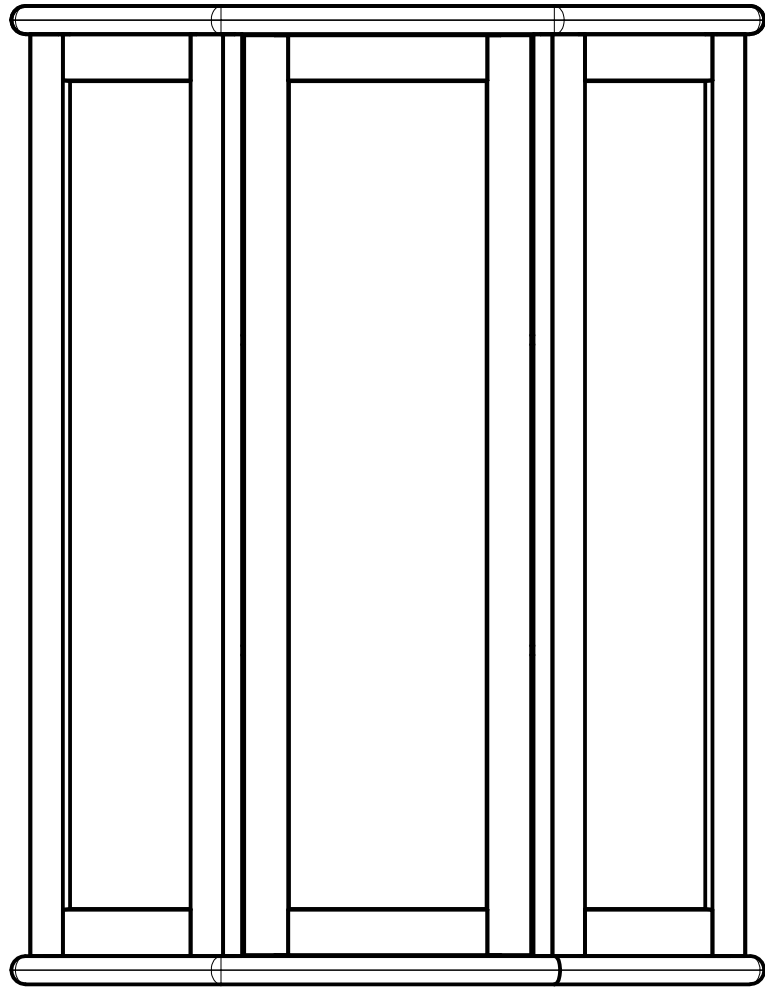
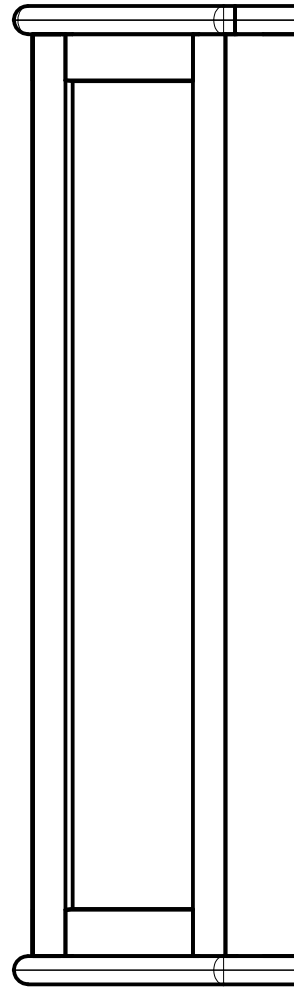


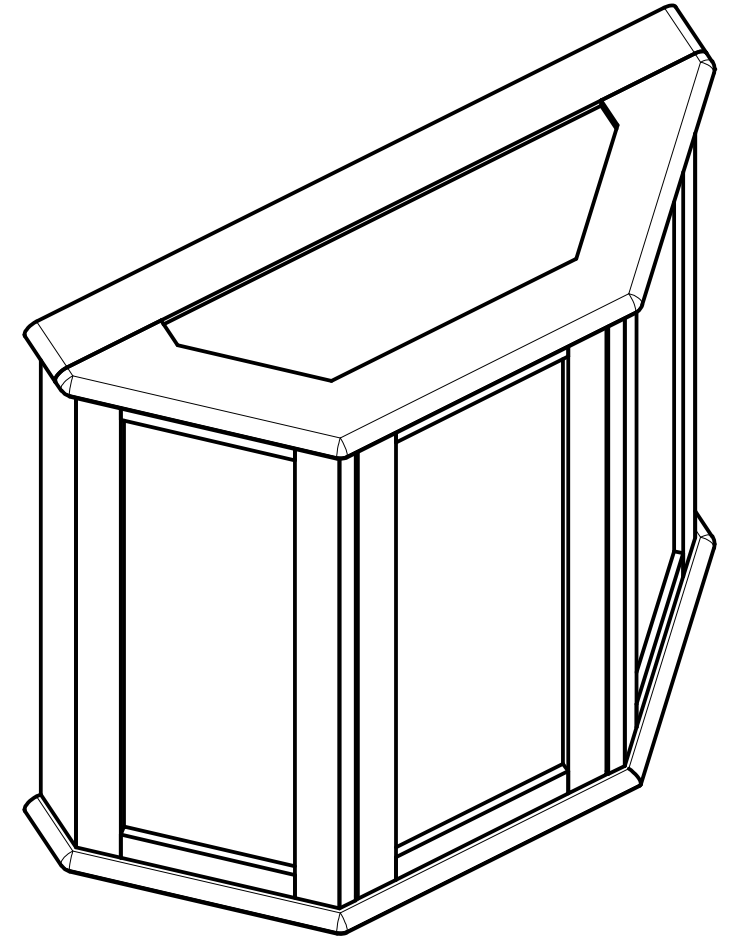
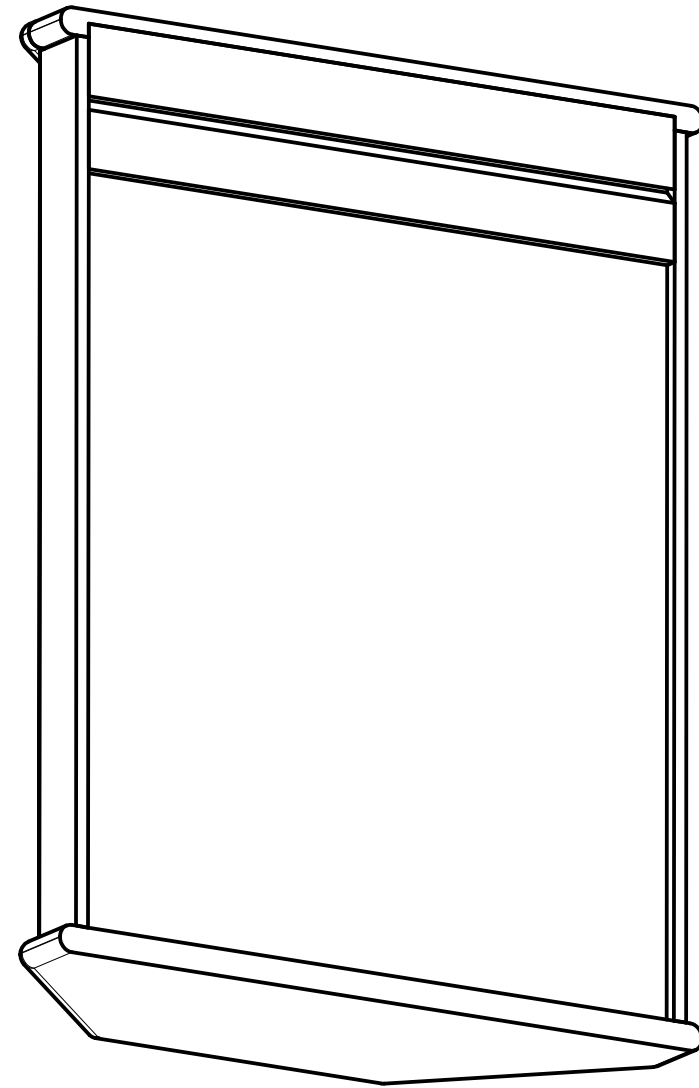
TOP1

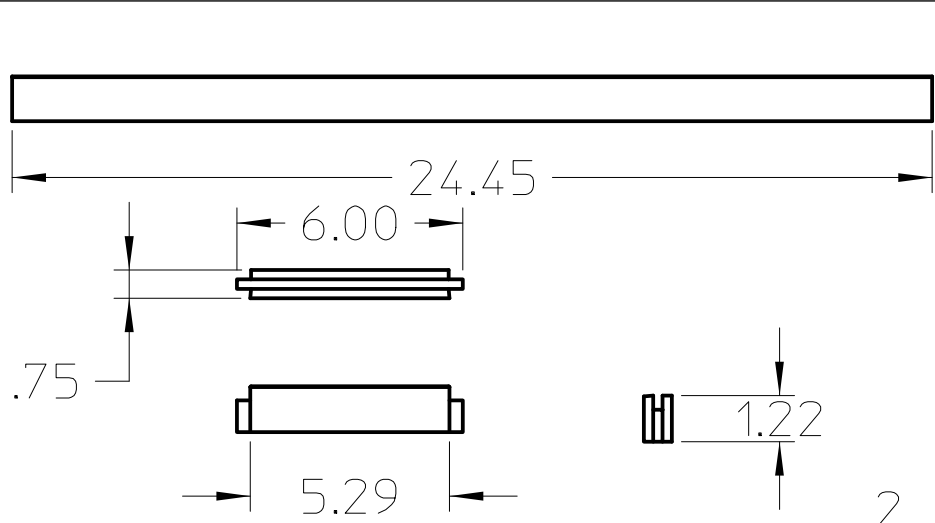


FRONT1

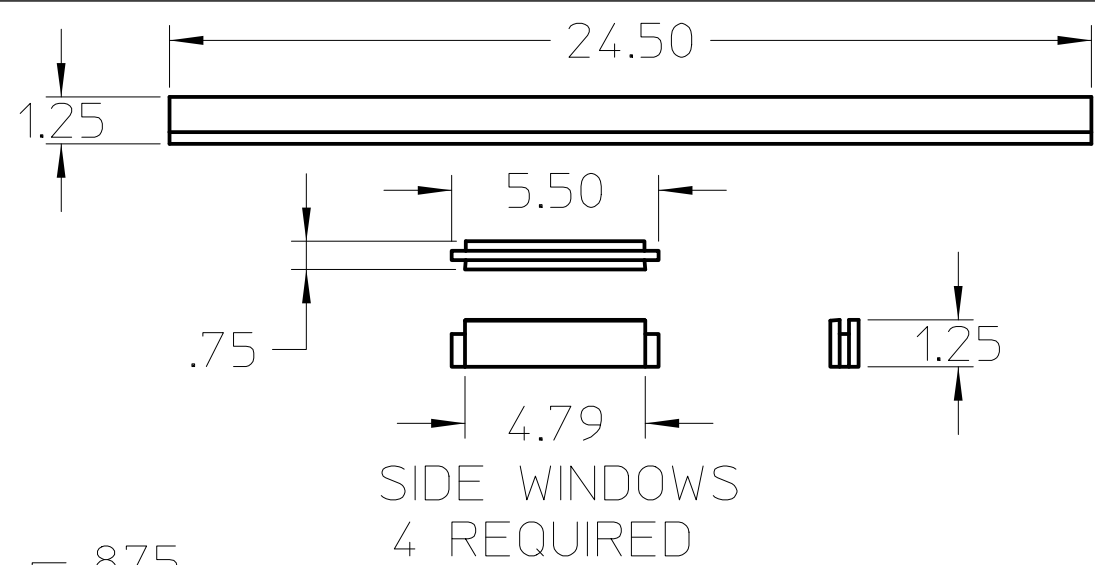


RIGHT1

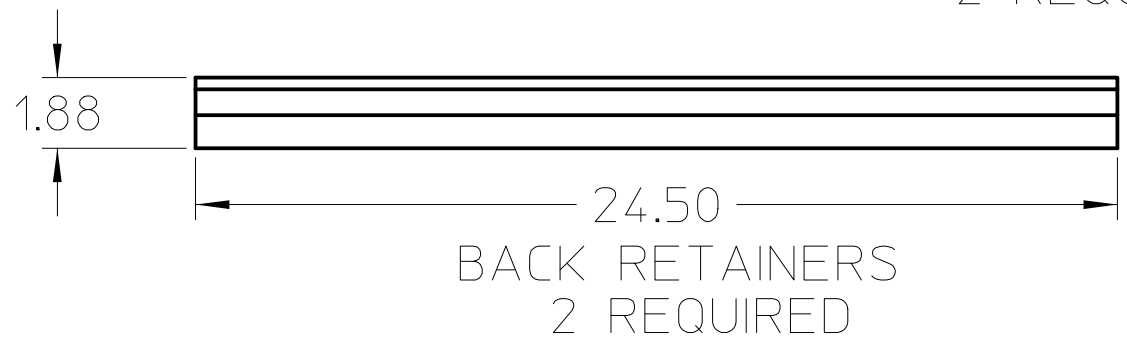
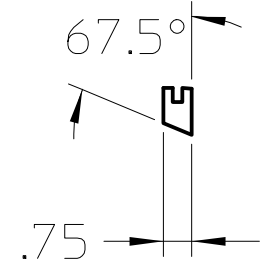




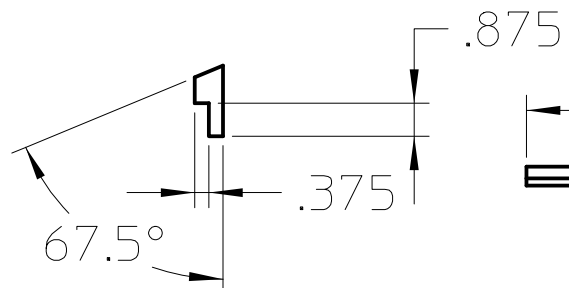
DOOR  
2 REQUIRED



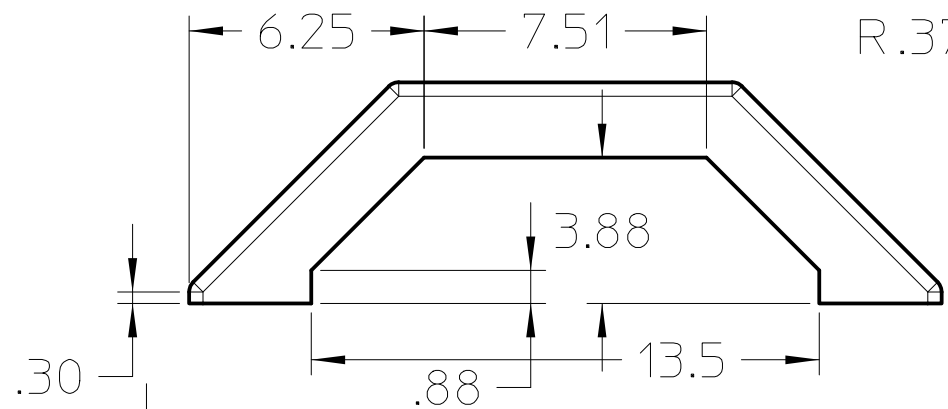
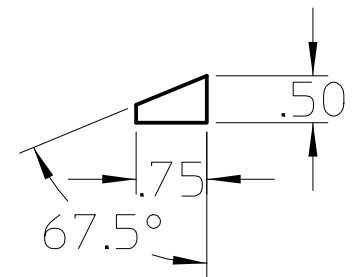
SIDE WINDOWS  
4 REQUIRED



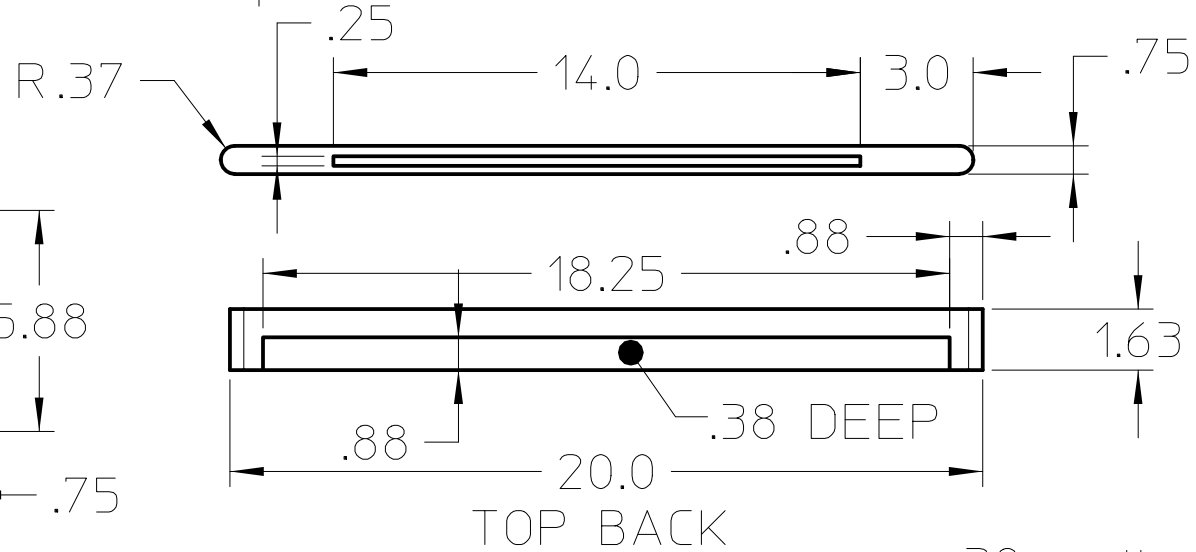
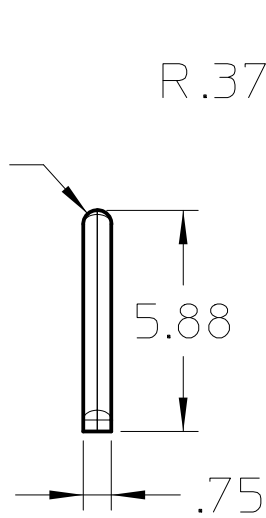
BACK RETAINERS  
2 REQUIRED



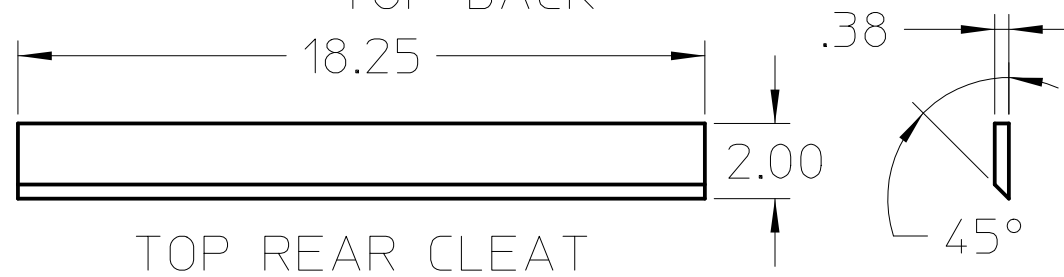
DOOR JAMB 2 REQUIRED



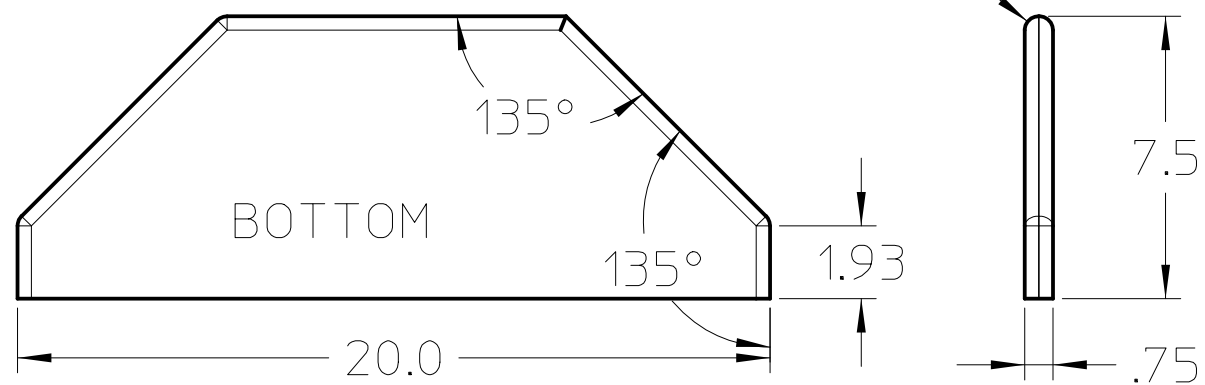
TOP FRONT



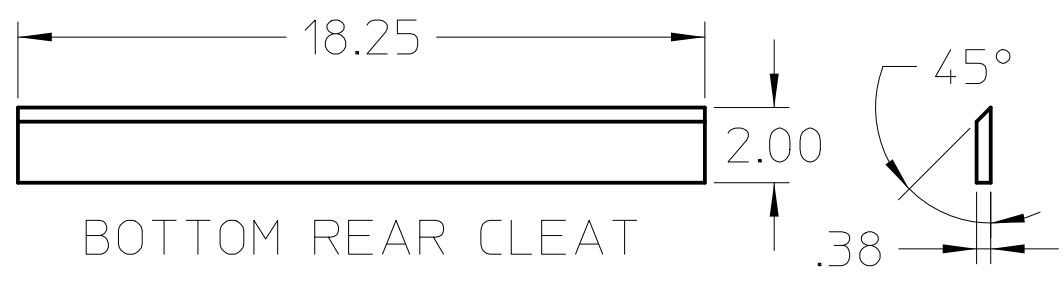
TOP BACK



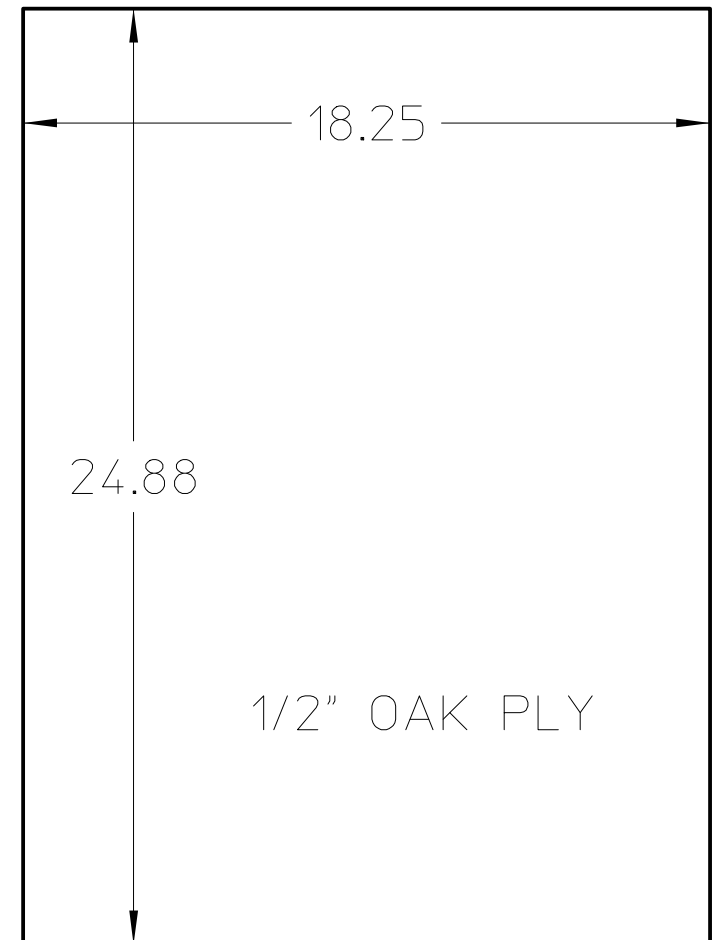
TOP REAR CLEAT



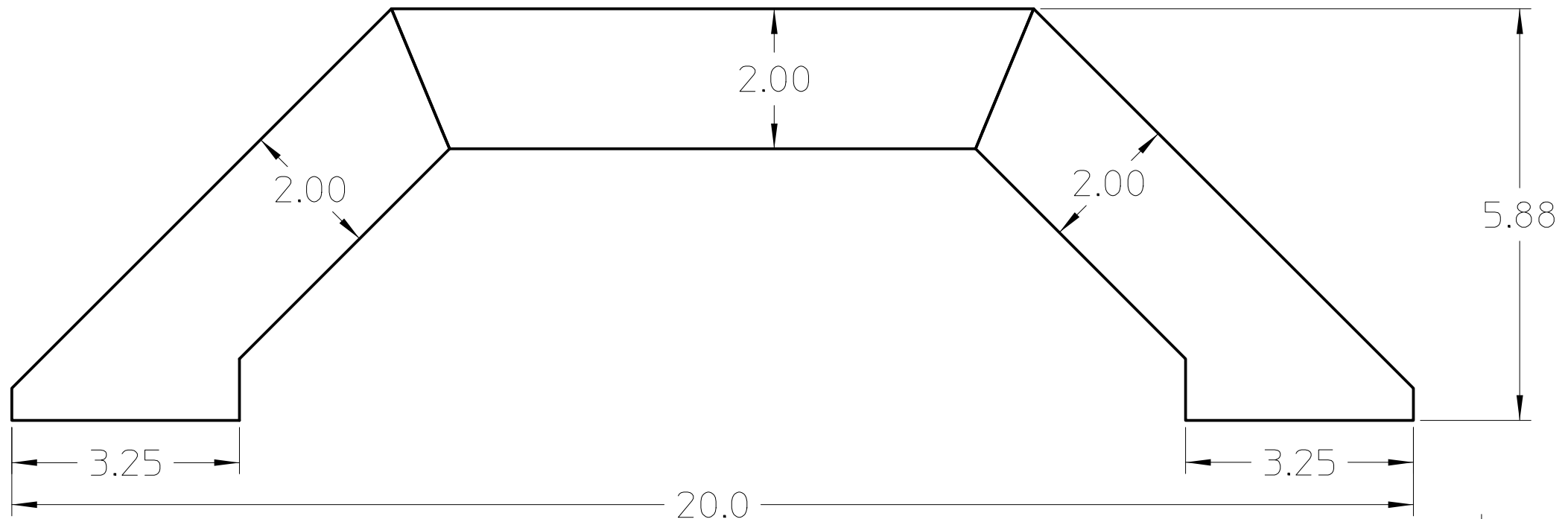
BOTTOM



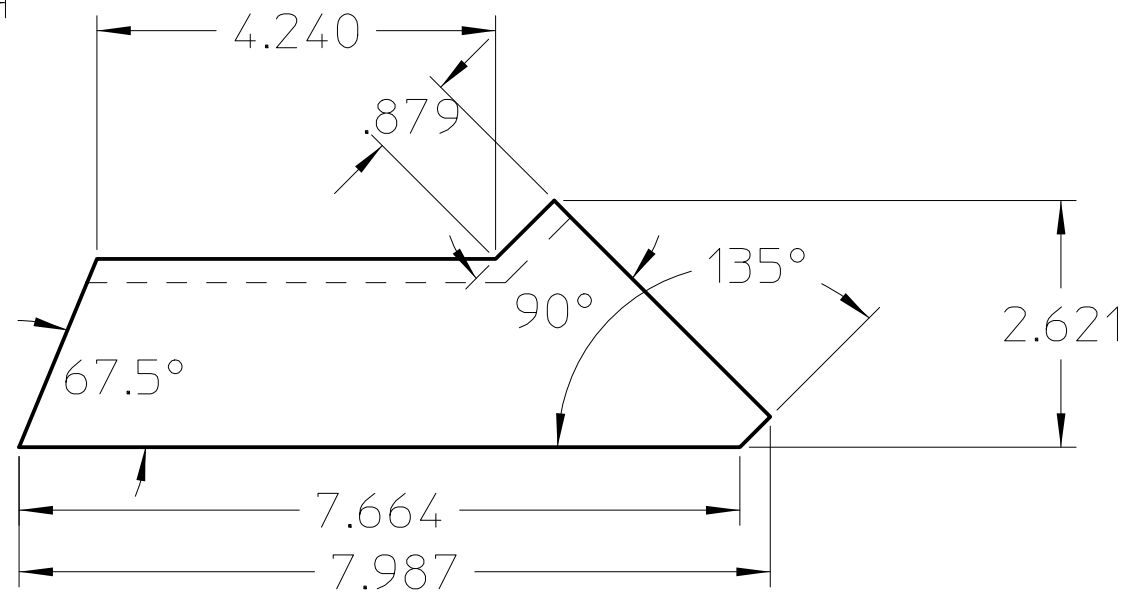
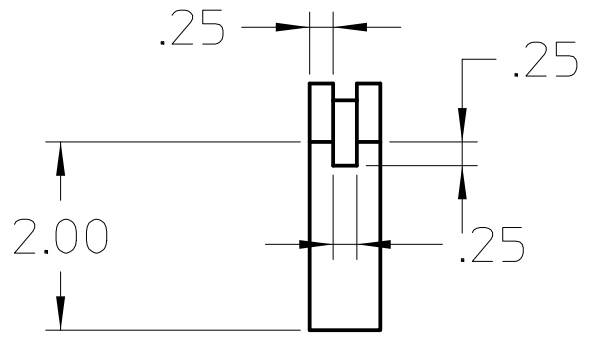
BOTTOM REAR CLEAT



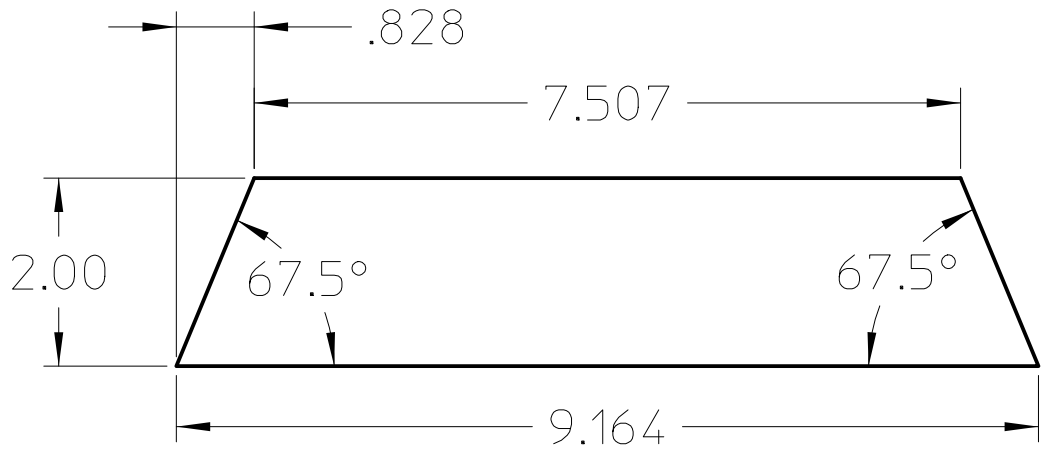
1/2" OAK PLY



ALTERNATIVE MULTI-PART TOP



SIDES  
(2 REQUIRED)



FRONT

