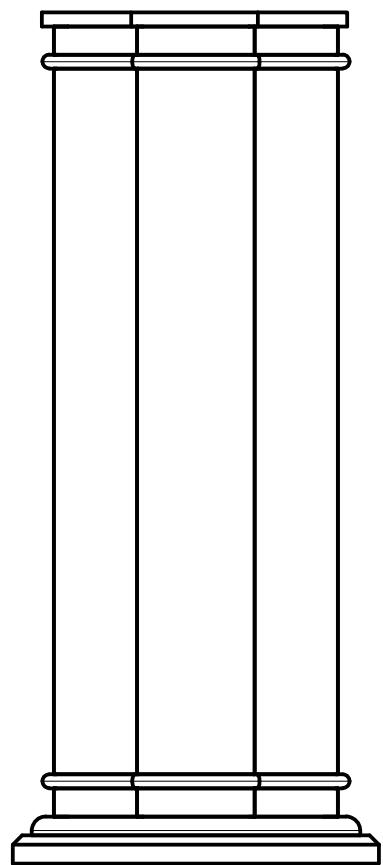
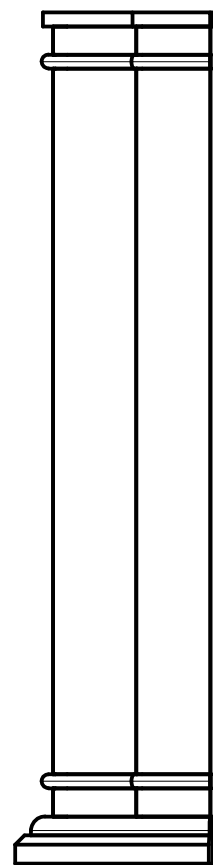


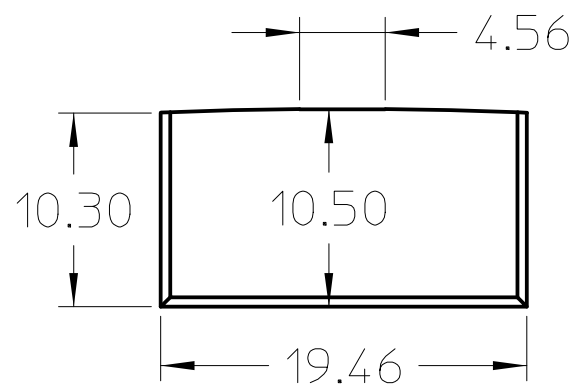
TOP1



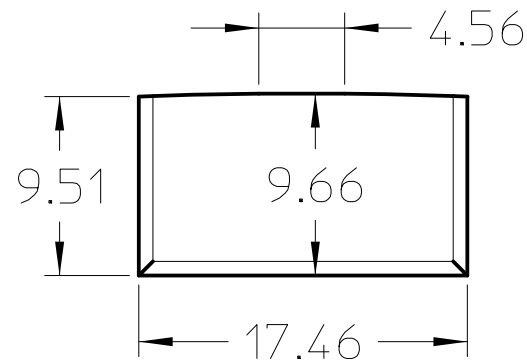
FRONT1



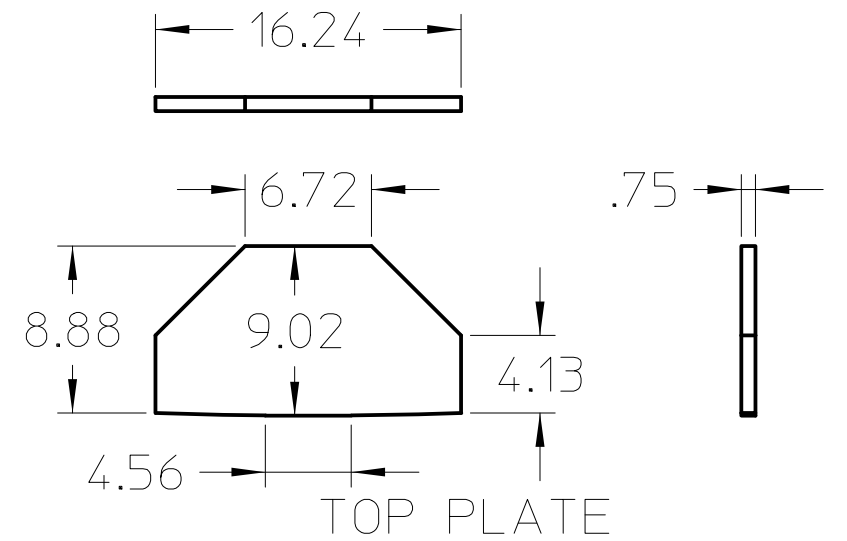
RIGHT1



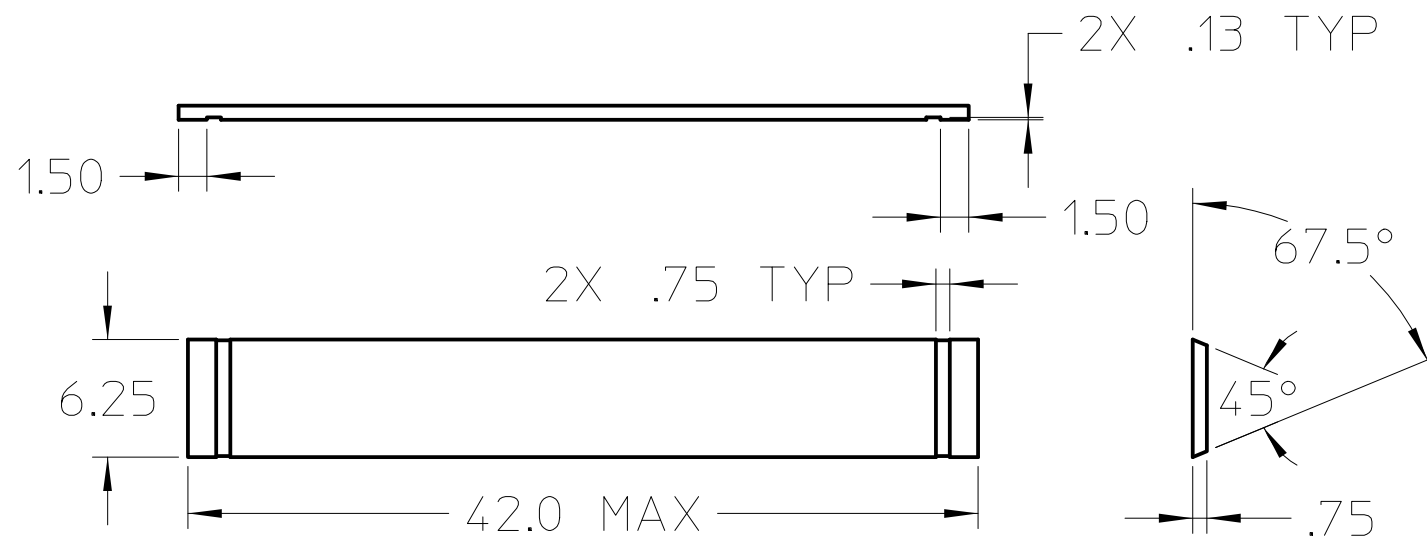
BASE



BASE CAP



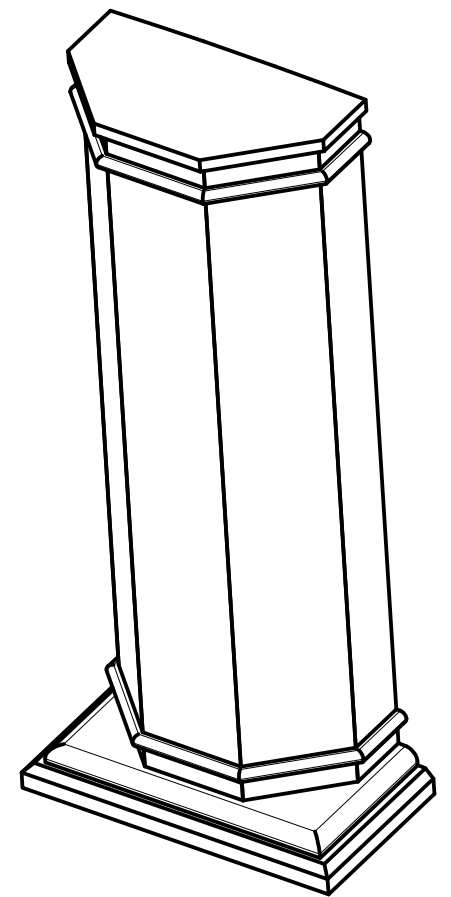
TOP PLATE



FULL FACET (3 REQ'D)



LEFT & RIGHT FACETS (2 REQ'D)



GEN1