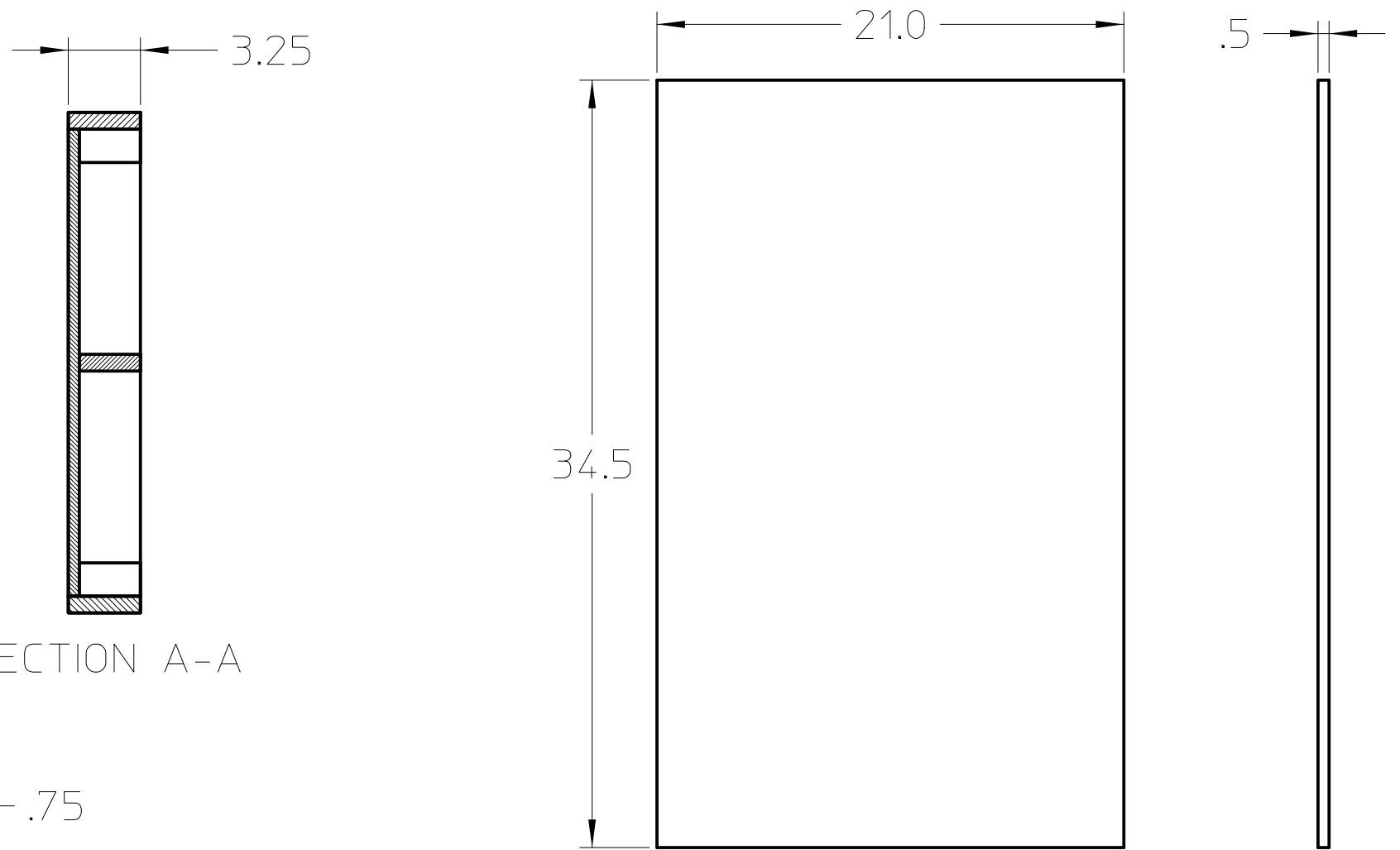
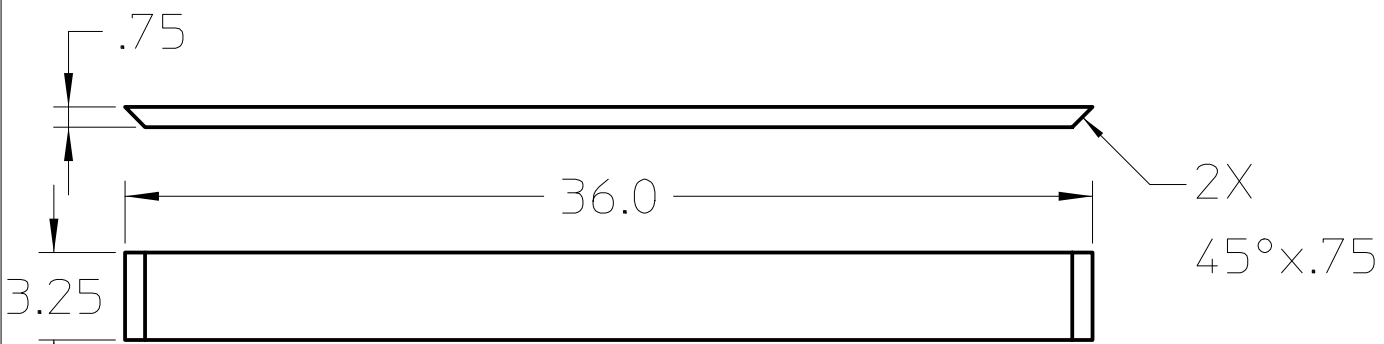


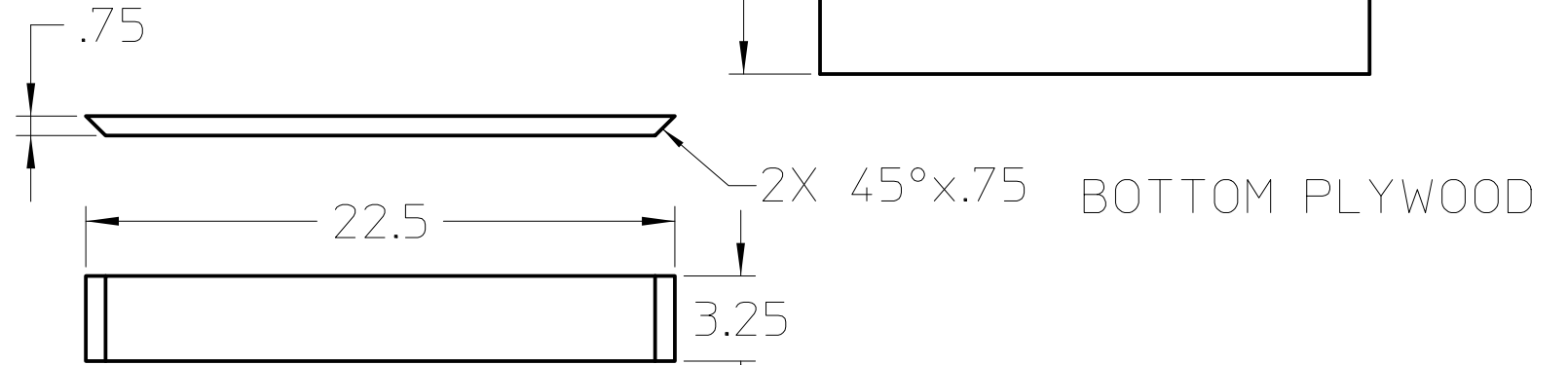
BASE ASSEMBLED



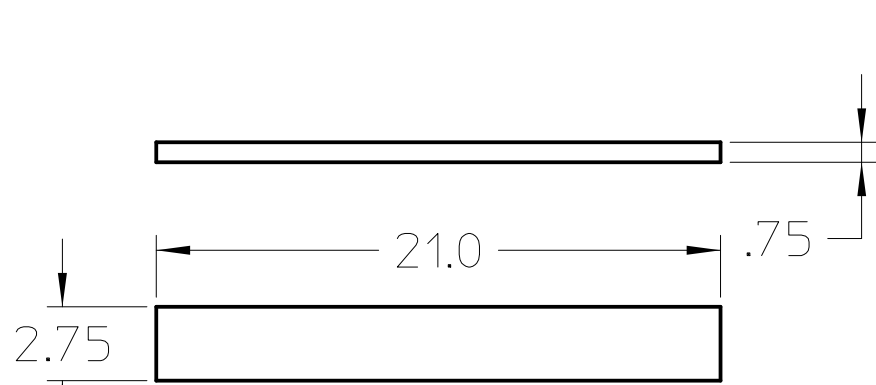
SECTION A-A



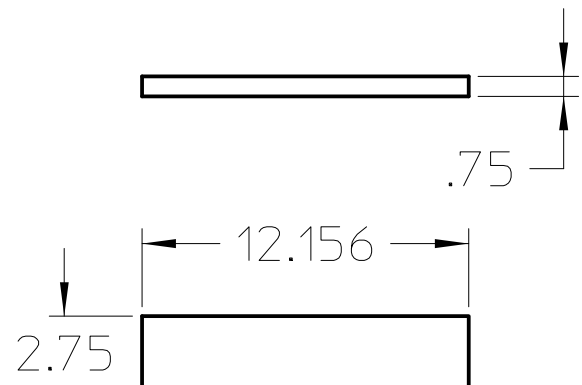
LONG EDGE (2) REQ'D



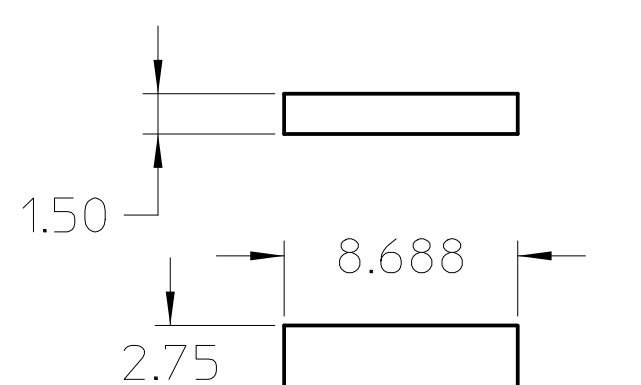
SHORT EDGE (2) REQ'D



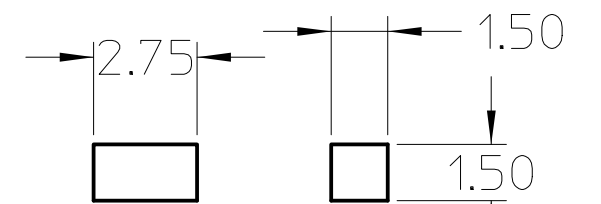
INTERNAL BRACING
(2) REQ'D



INTERNAL BRACING
(2) REQ'D

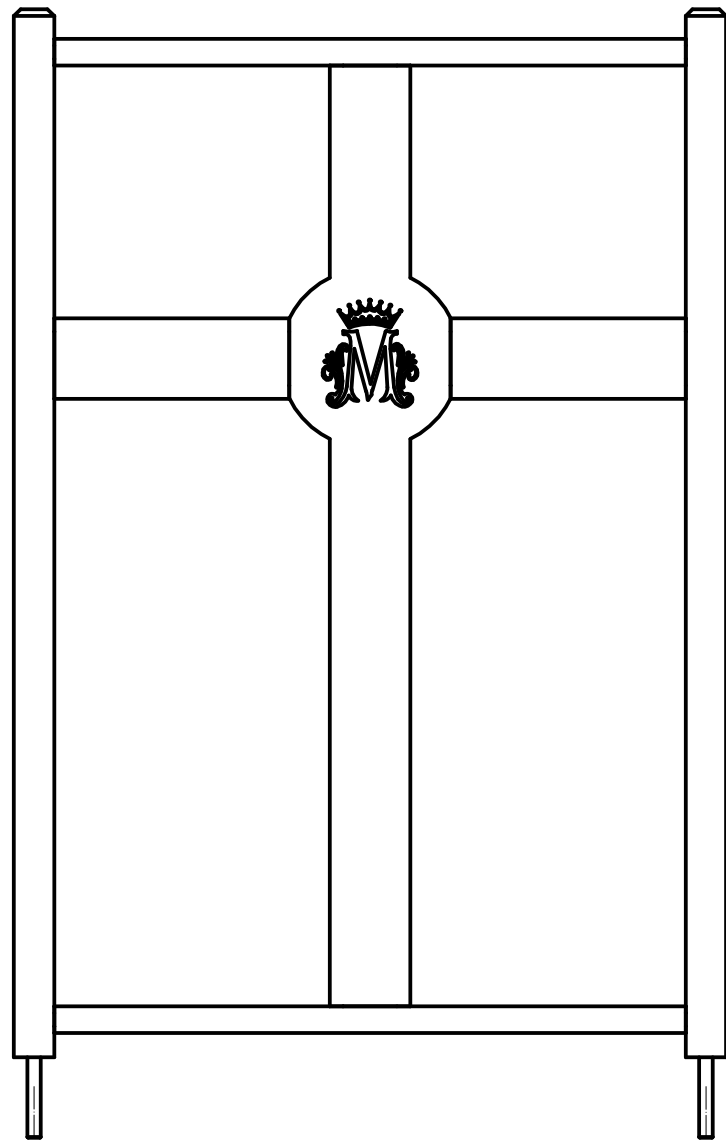


INTERNAL BRACING
(2) REQ'D

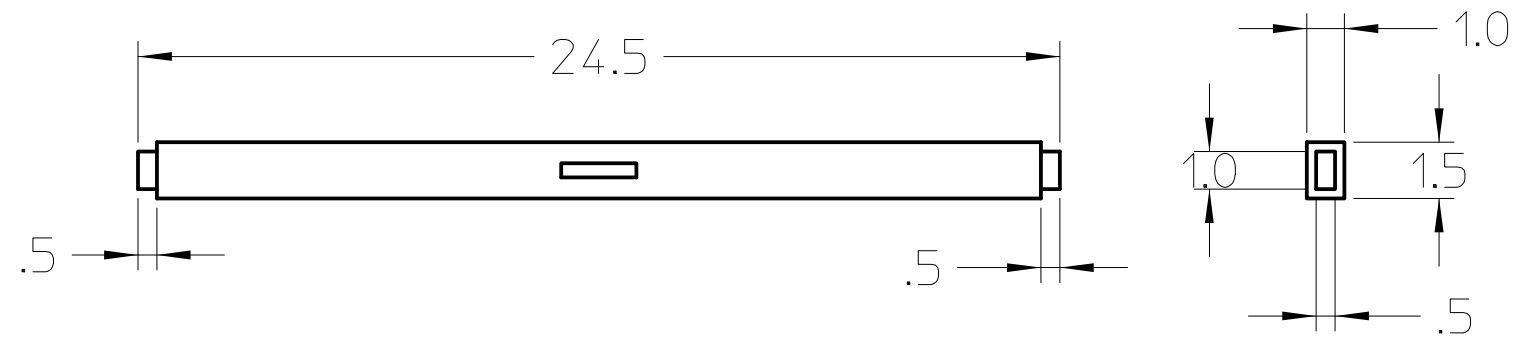


CORNER BLOCKING
(2) REQ'D

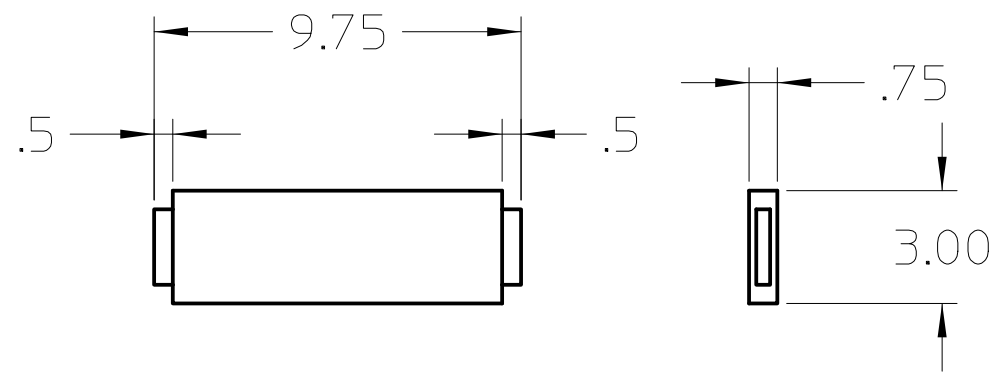
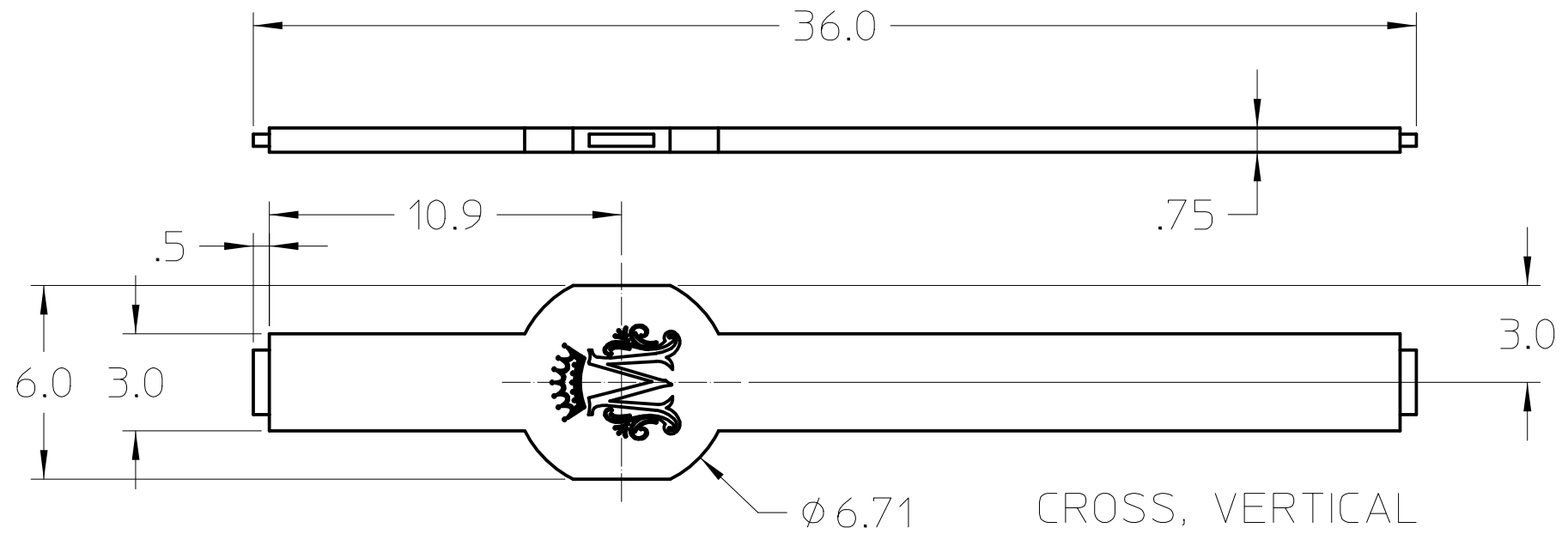
2X 45°x.75 BOTTOM PLYWOOD



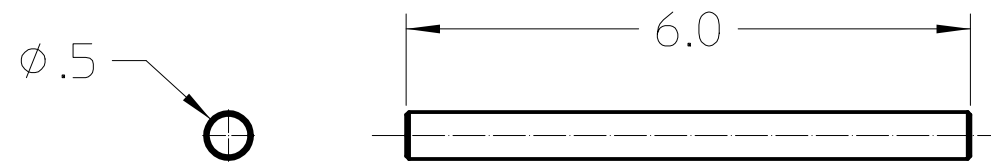
REAR FRAME ASSEMBLY



TOP & BOTTOM RAIL (2) REQUIRED



CROSS, HORIZONTAL (2) REQ'D



PRECISION STEEL ROD
(2) REQUIRED