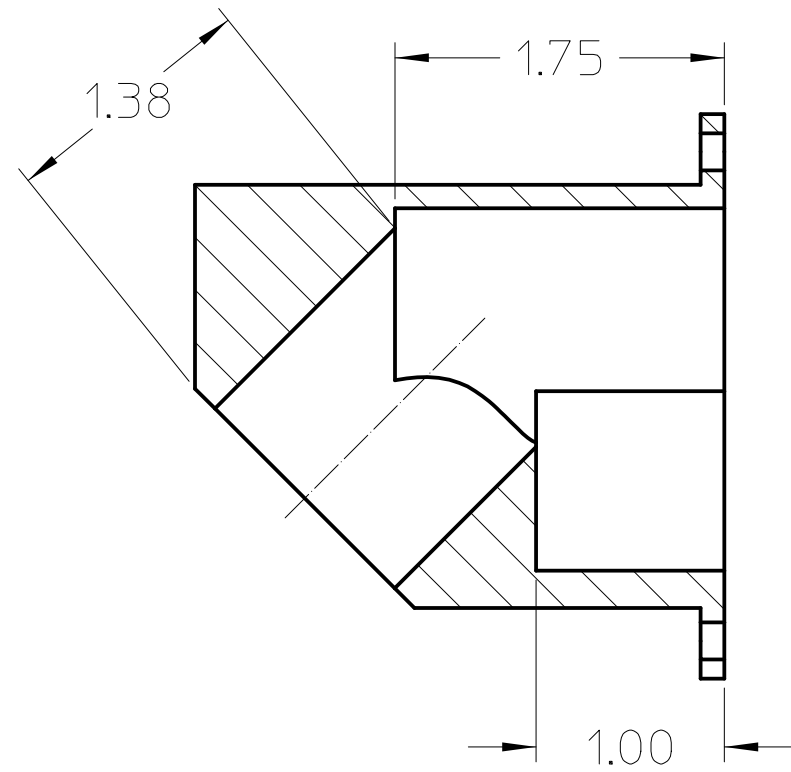
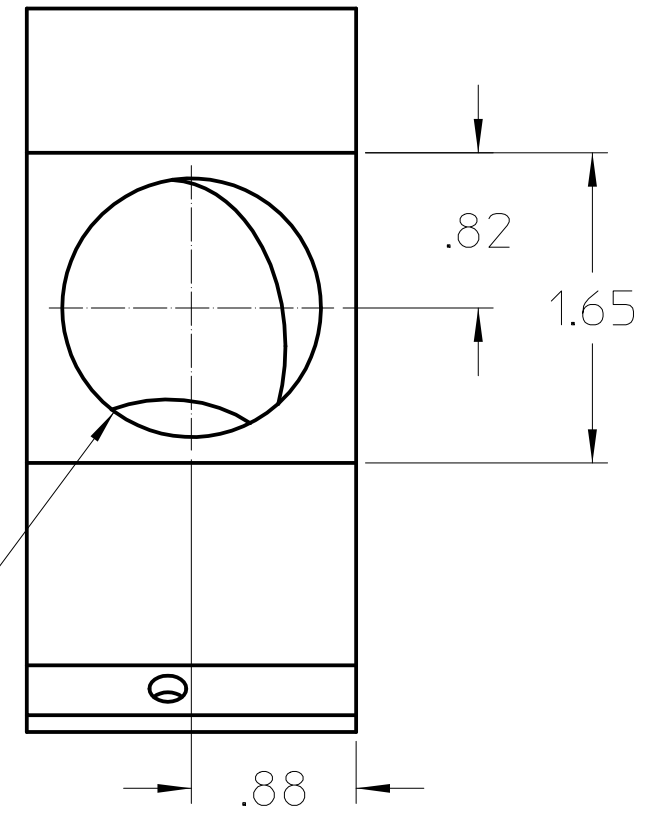


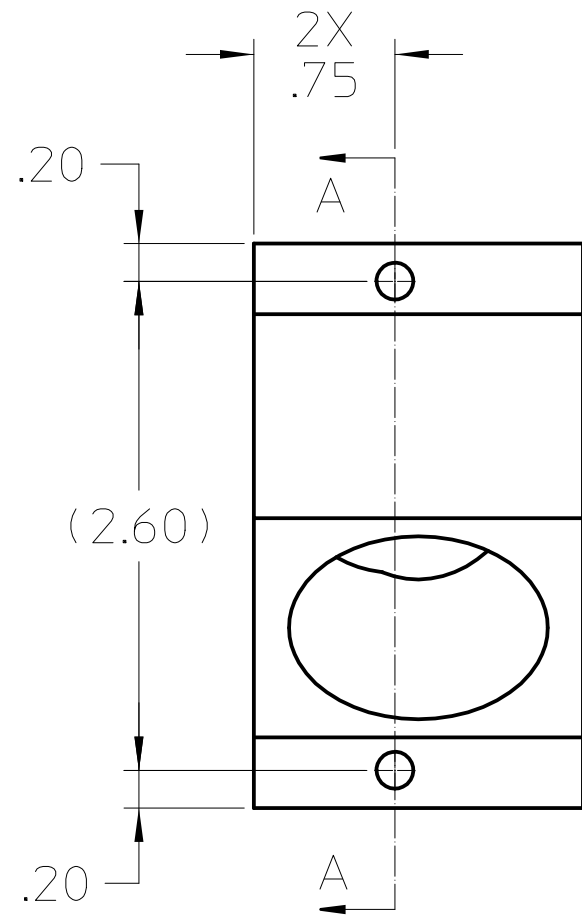
TOP1



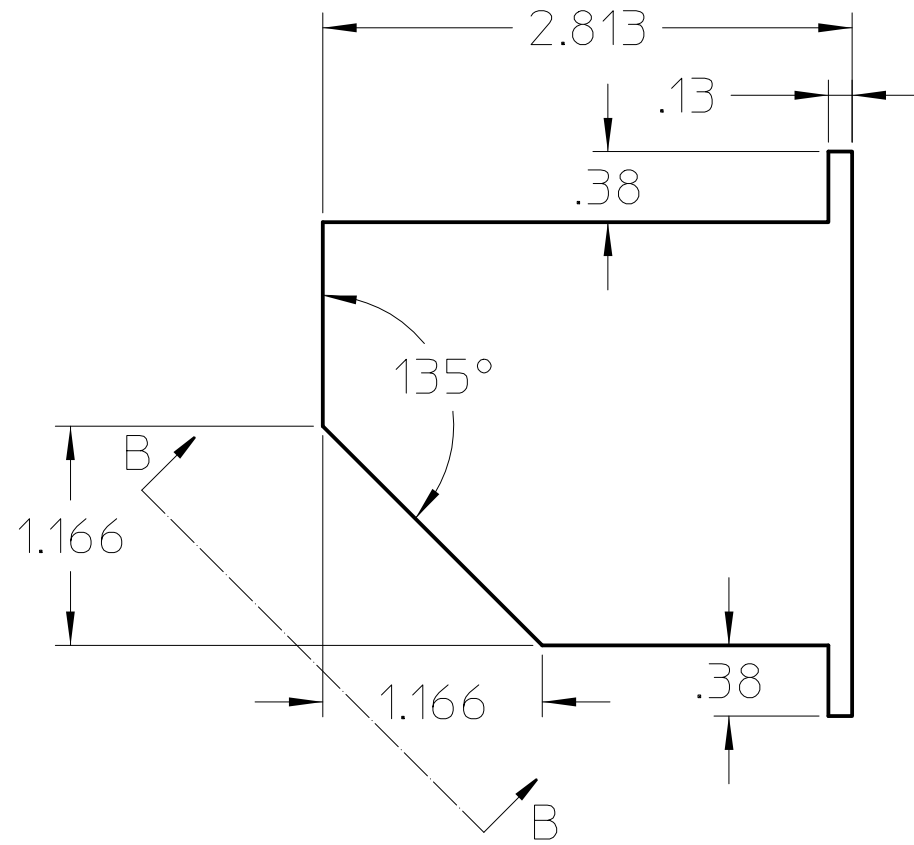
SECTION A-A



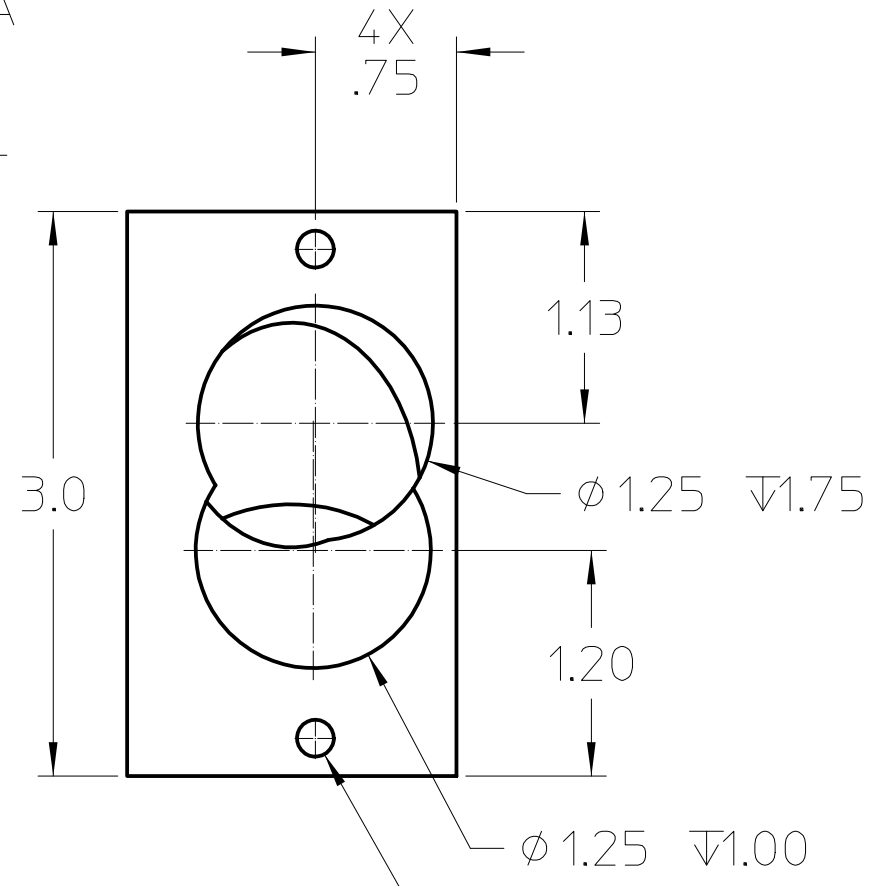
VIEW B-B



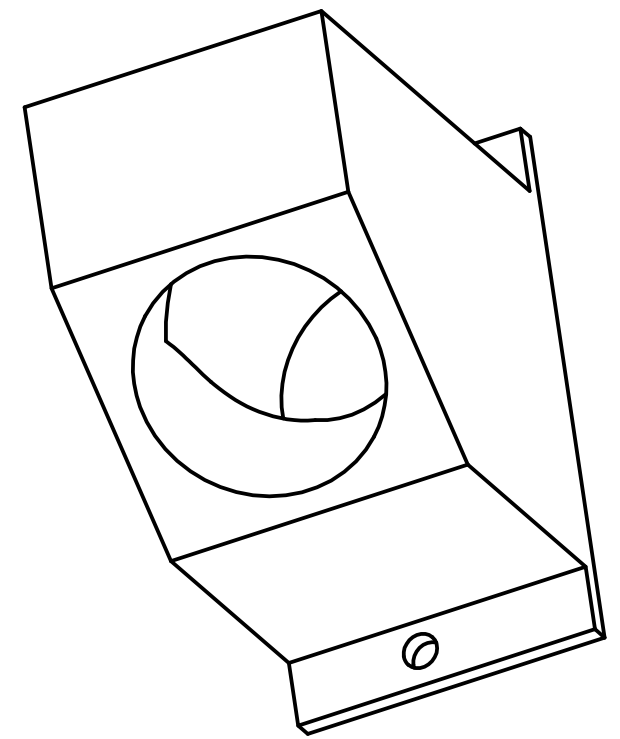
FRONT1



RIGHT1



BACK1



GEN1