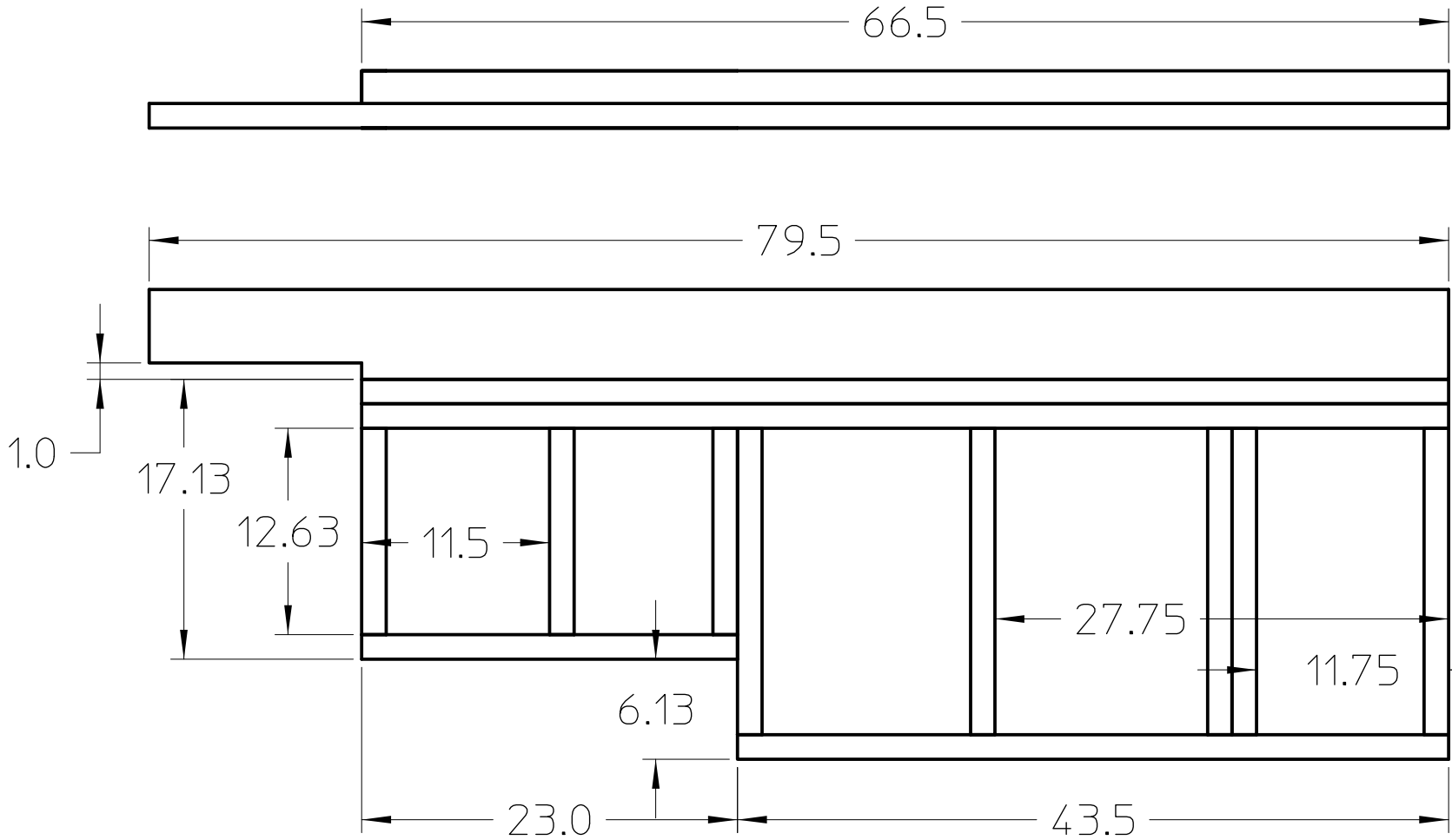
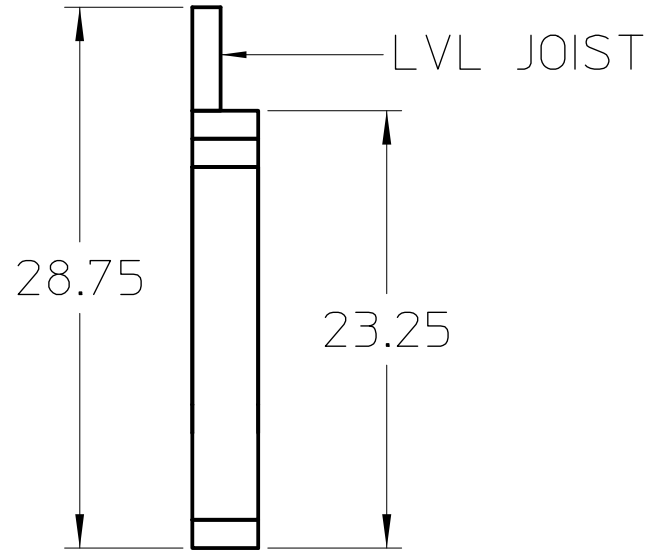


2

1



SIDE WALLS
 (2) REQUIRED (1 MIRROR OPP.)

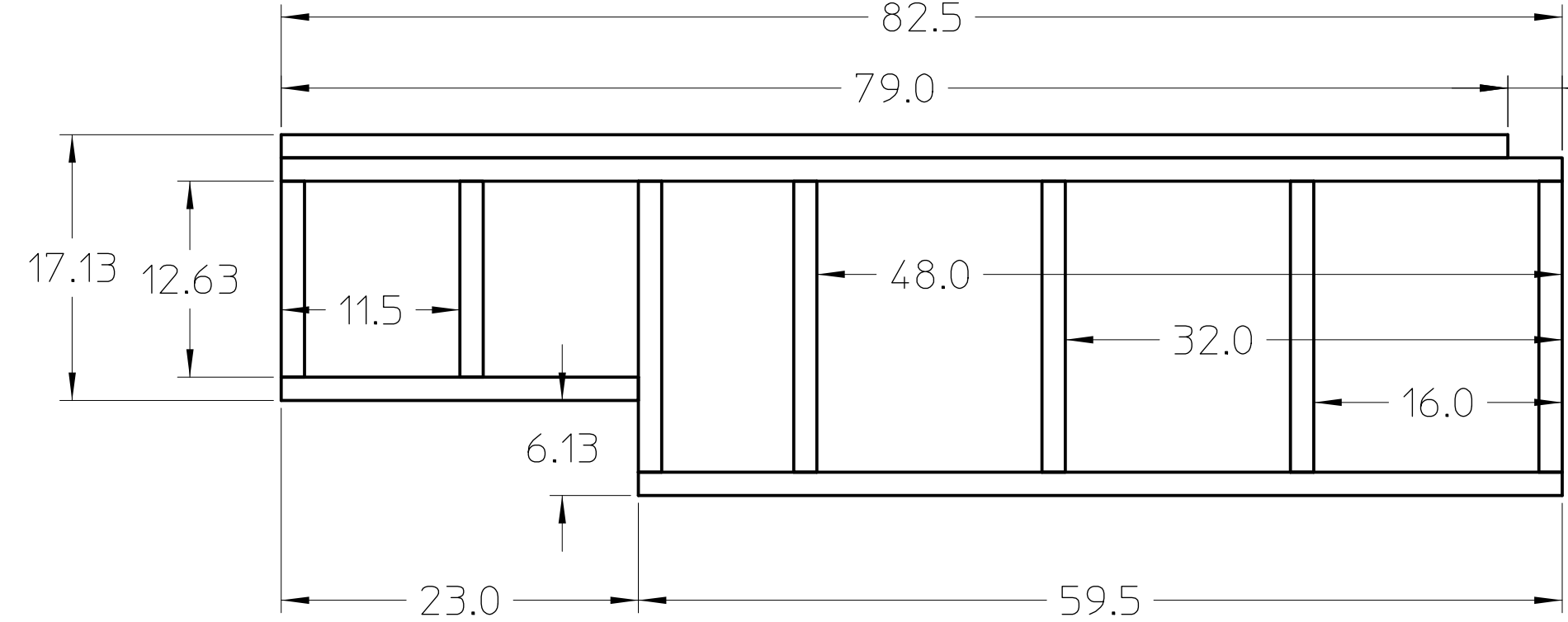


B

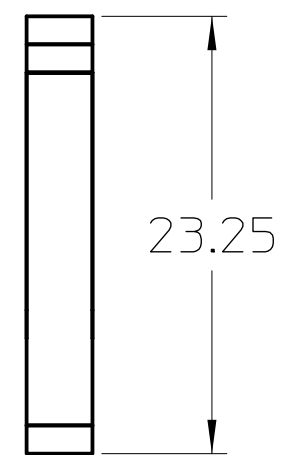
B

2

1

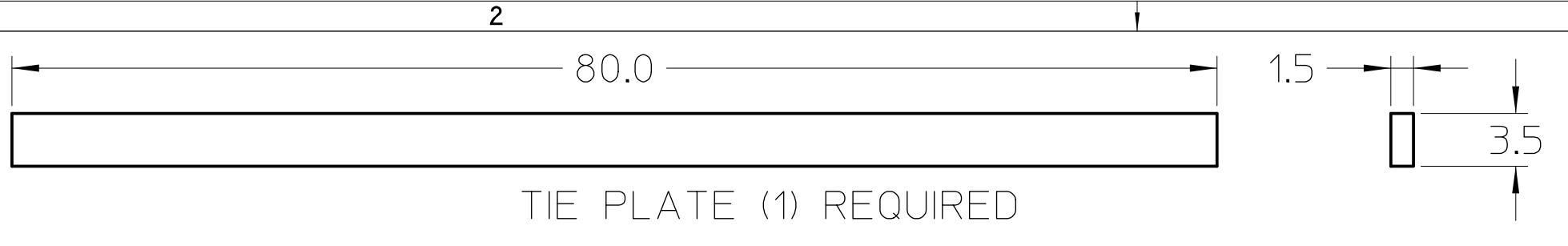


CENTER WALL
 (1) REQUIRED

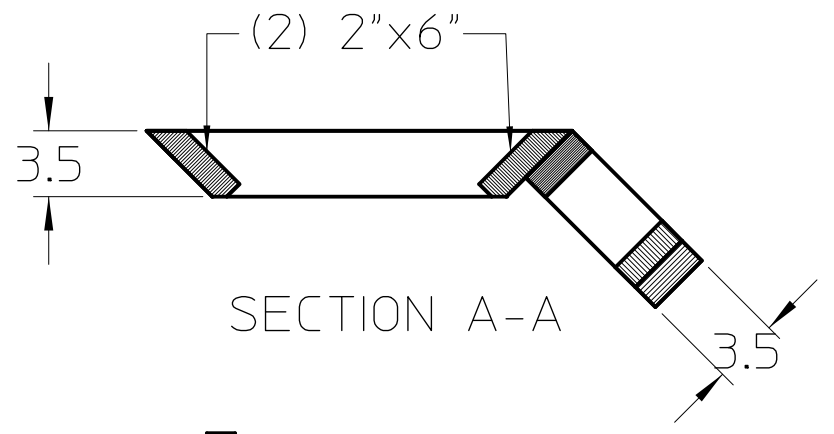
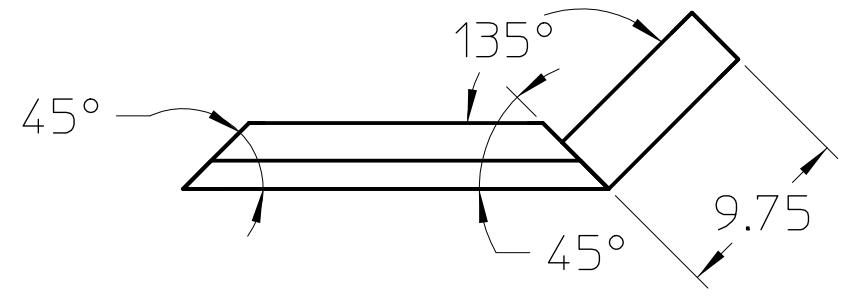
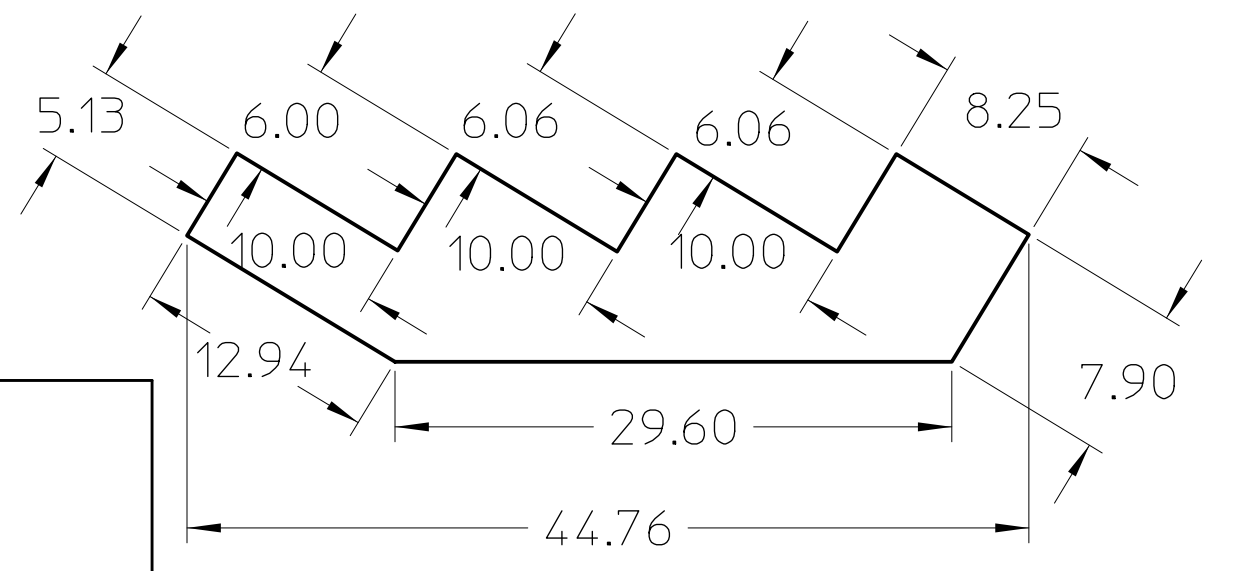


A

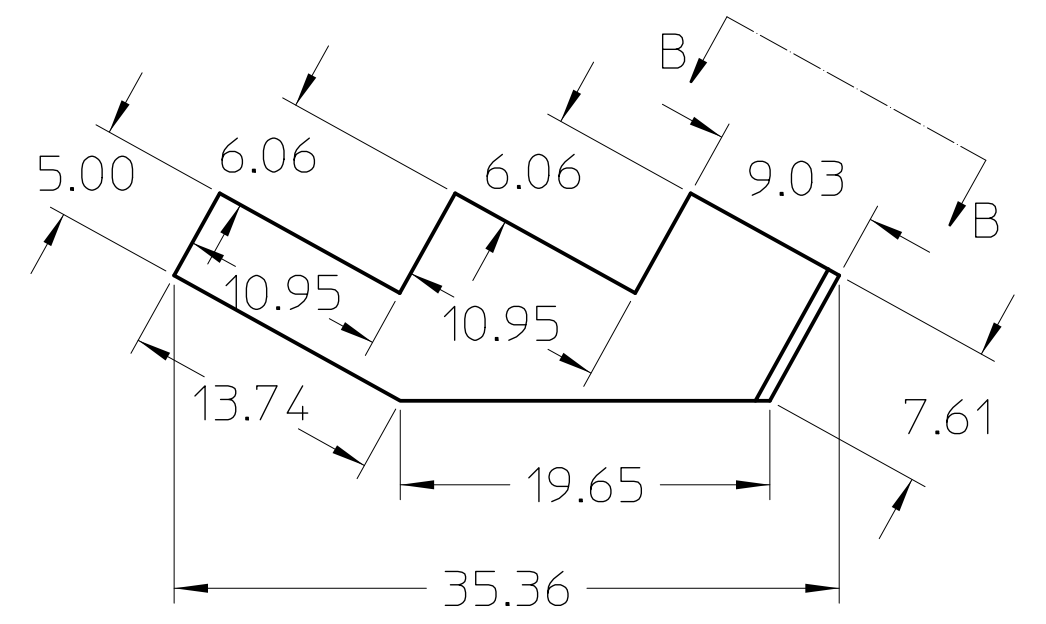
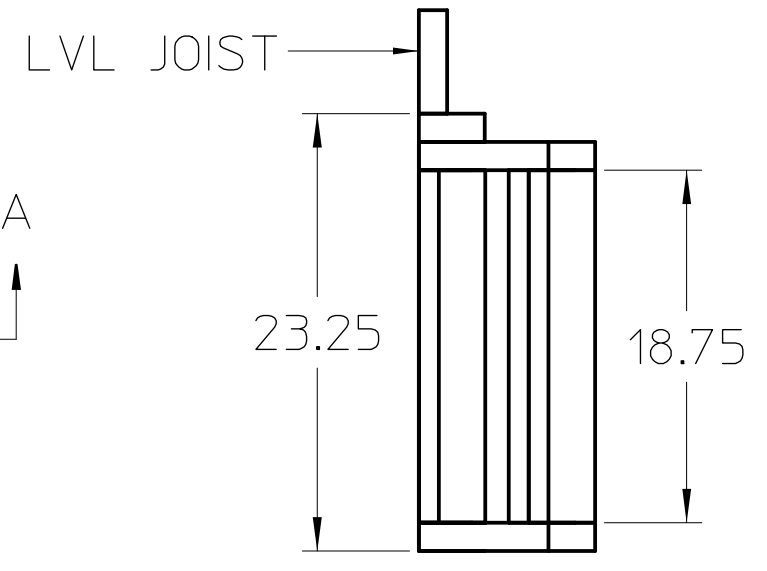
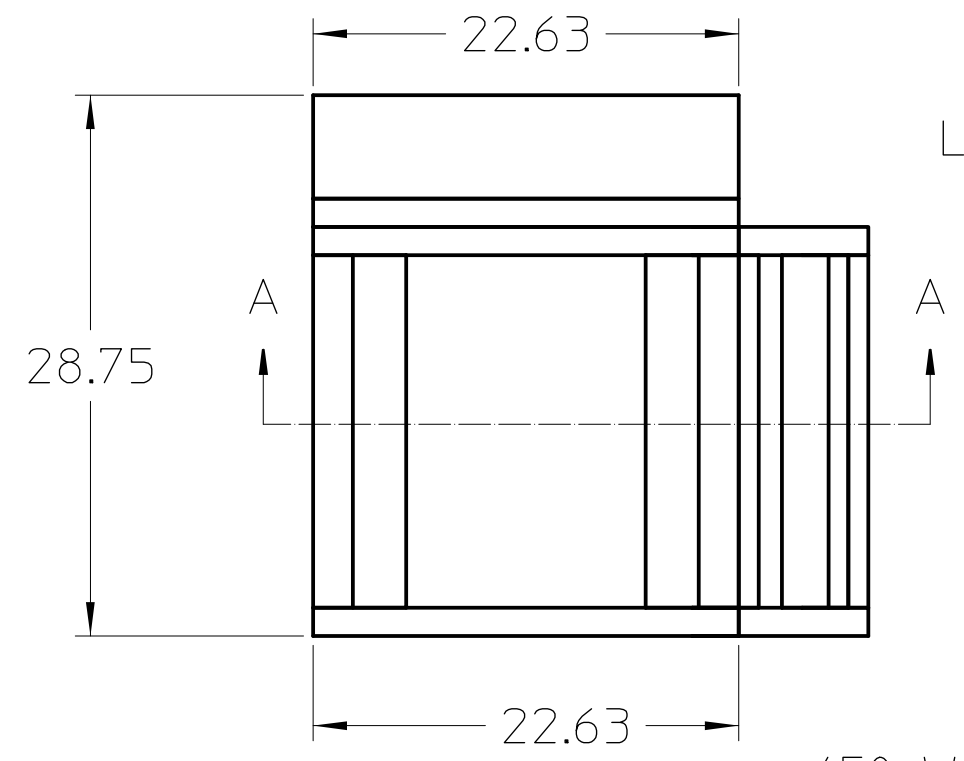
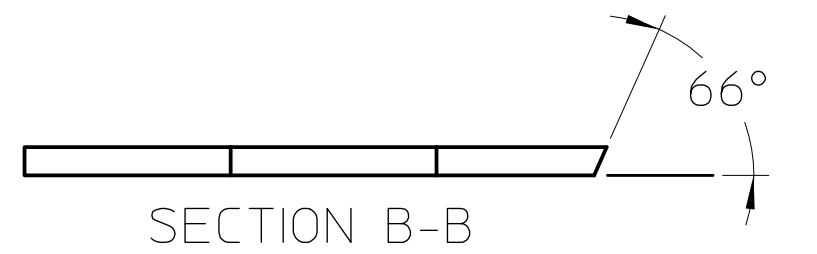
A



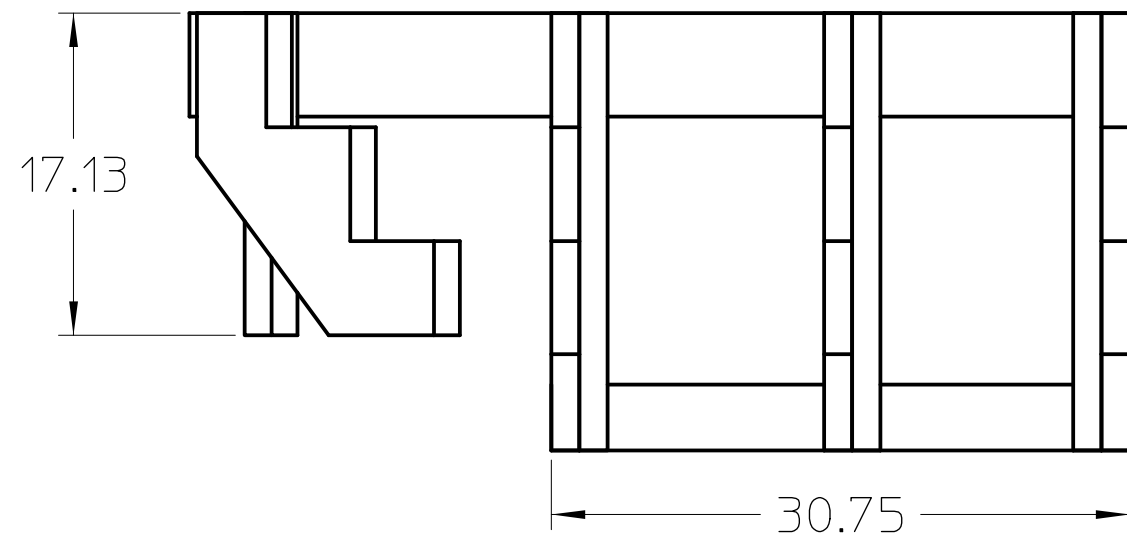
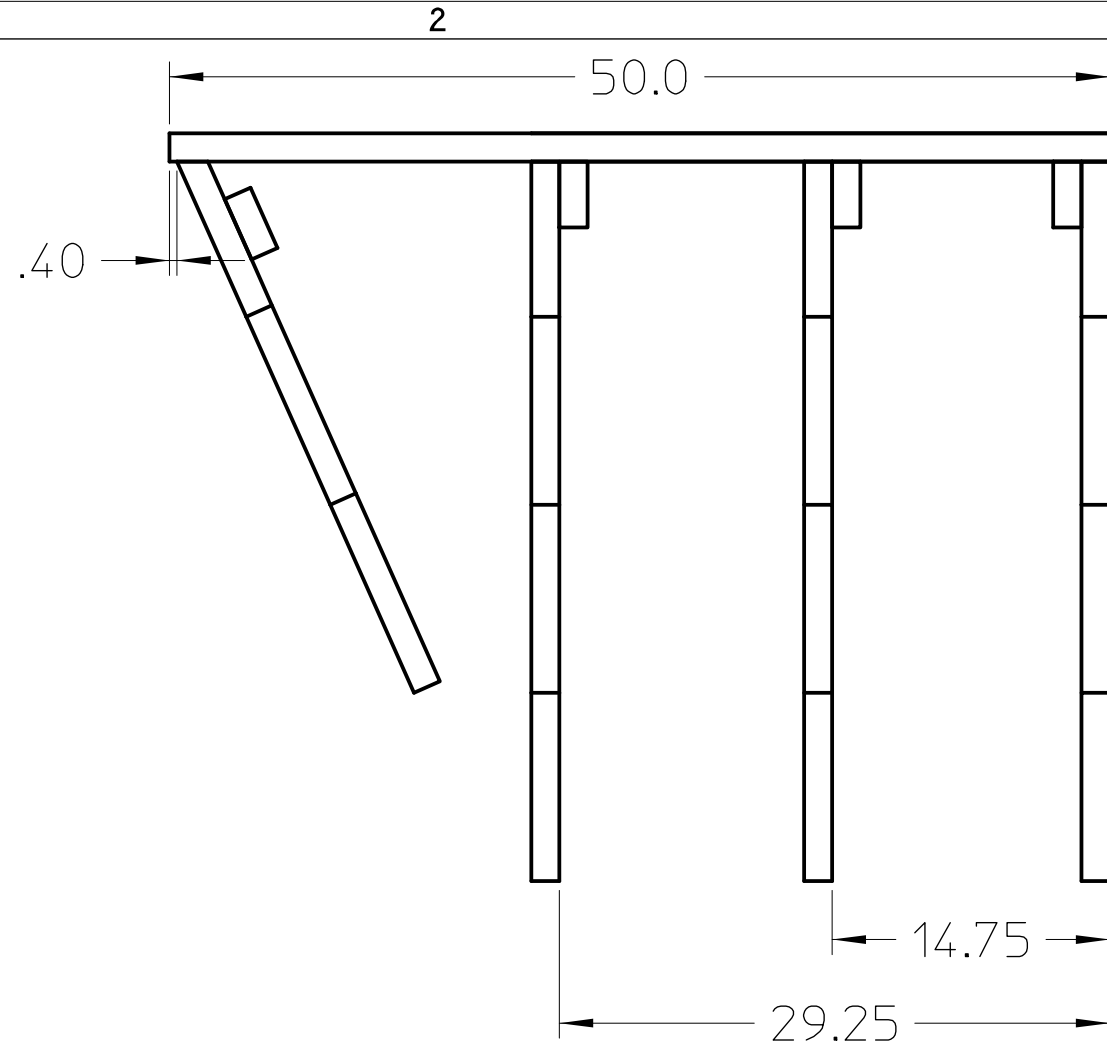
MAIN STRINGER
(6) REQUIRED



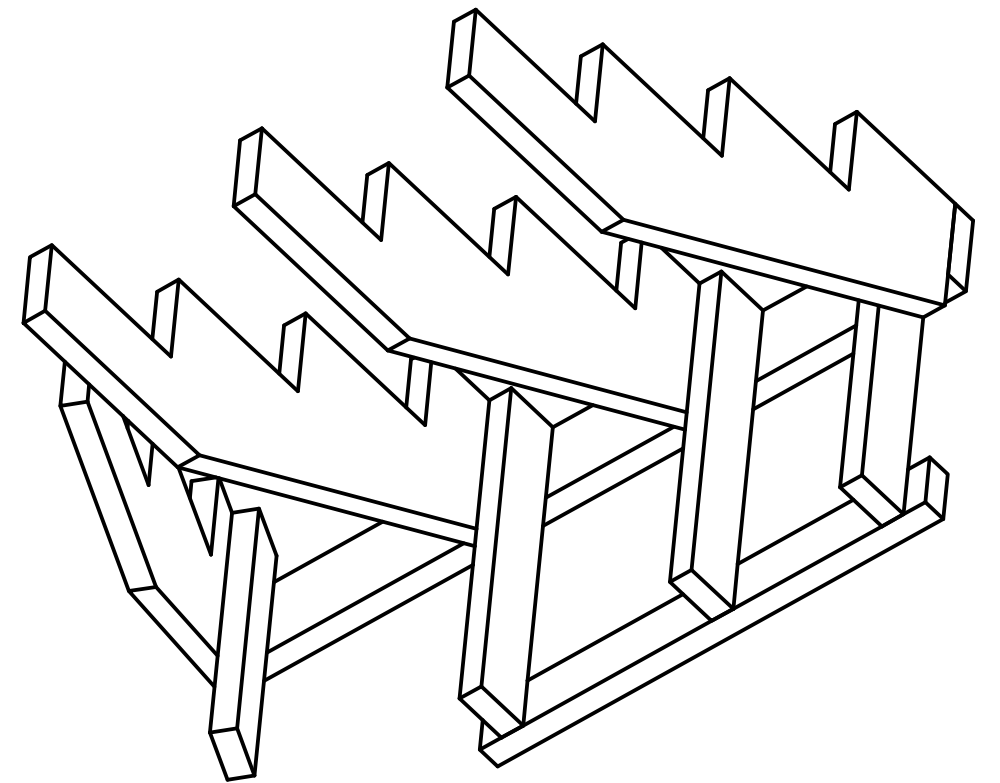
ANGLED STRINGER
(2) REQUIRED (1 MIRROR OPP.)



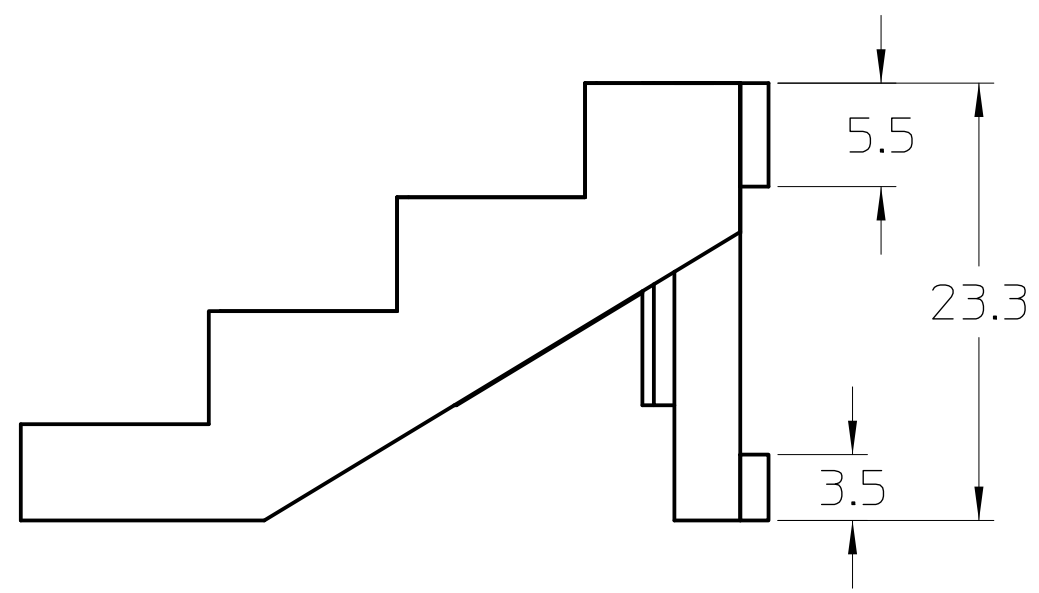
45° WALLS
(2) REQUIRED (1 MIRROR OPP.)

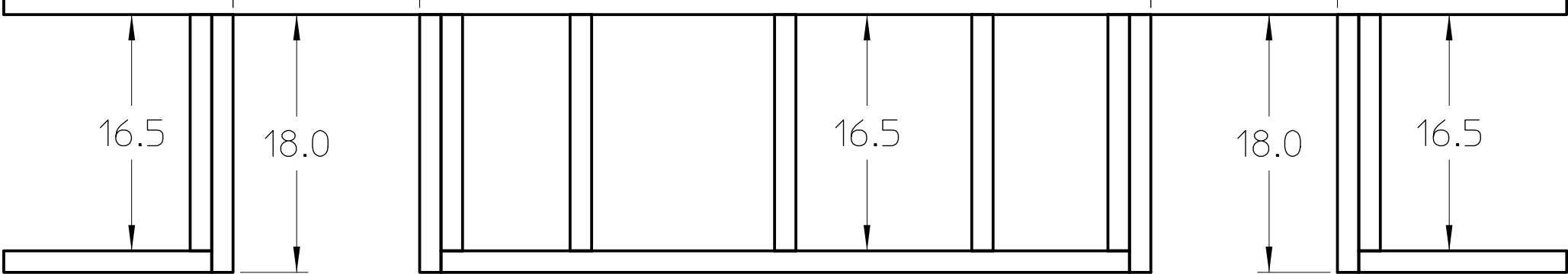
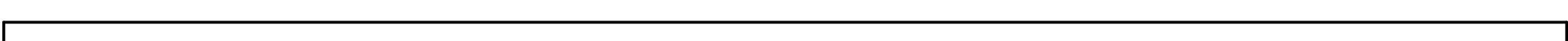
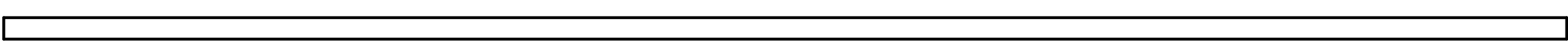
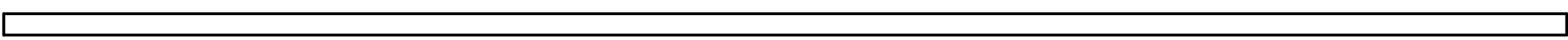
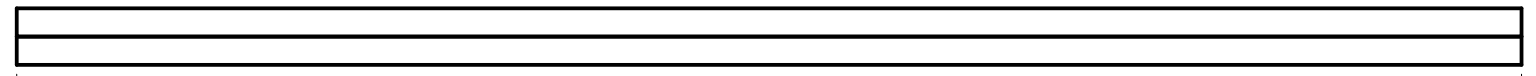
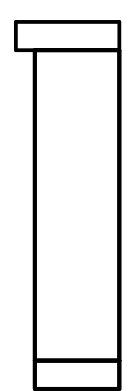
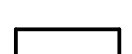
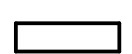
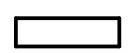
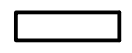
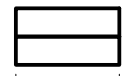
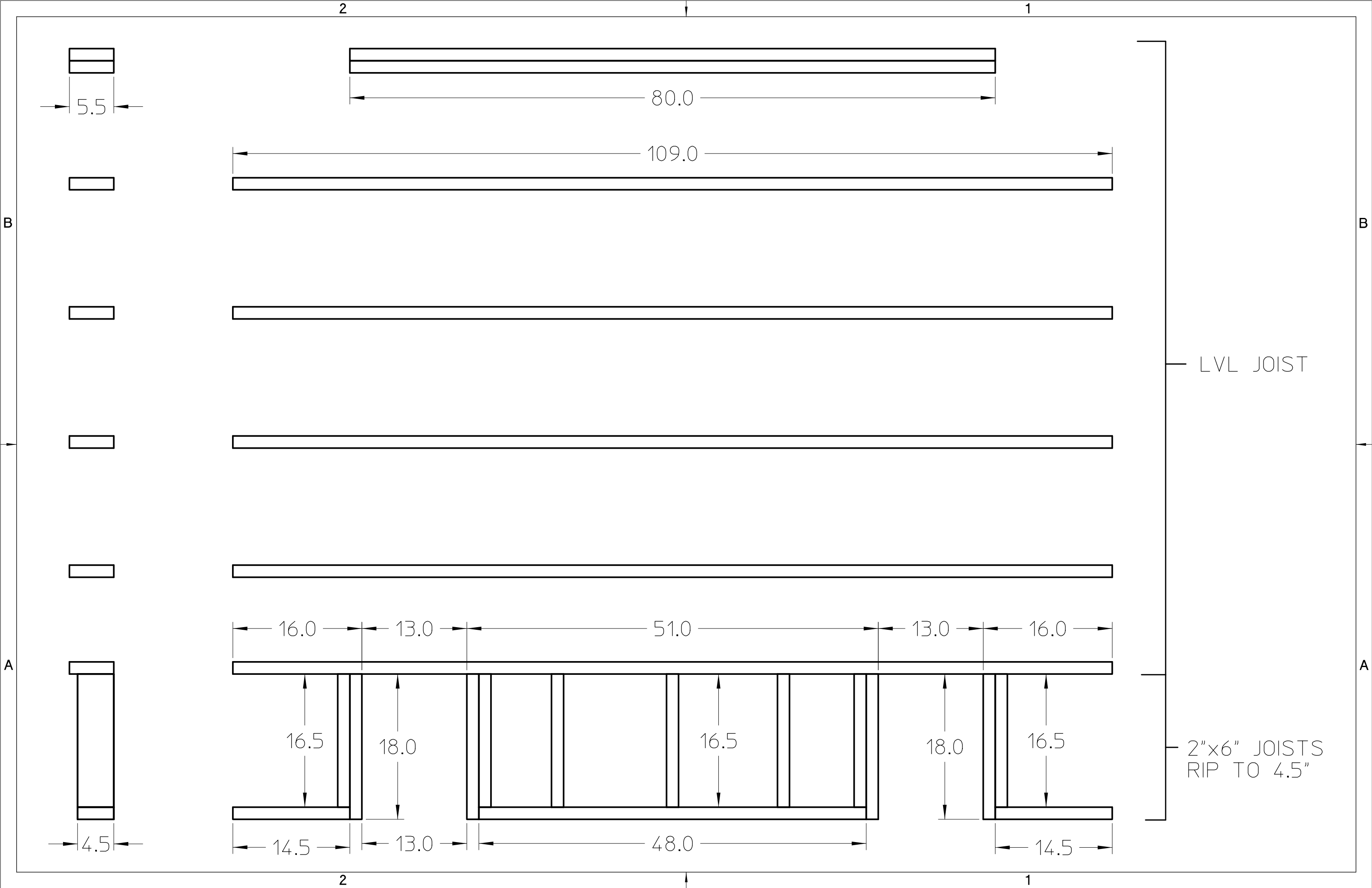


STAIRS
 (2) REQUIRED (1 MIRROR OPP.)



GEN1





LVL JOIST

2"x6" JOISTS
RIP TO 4.5"

2

1

B

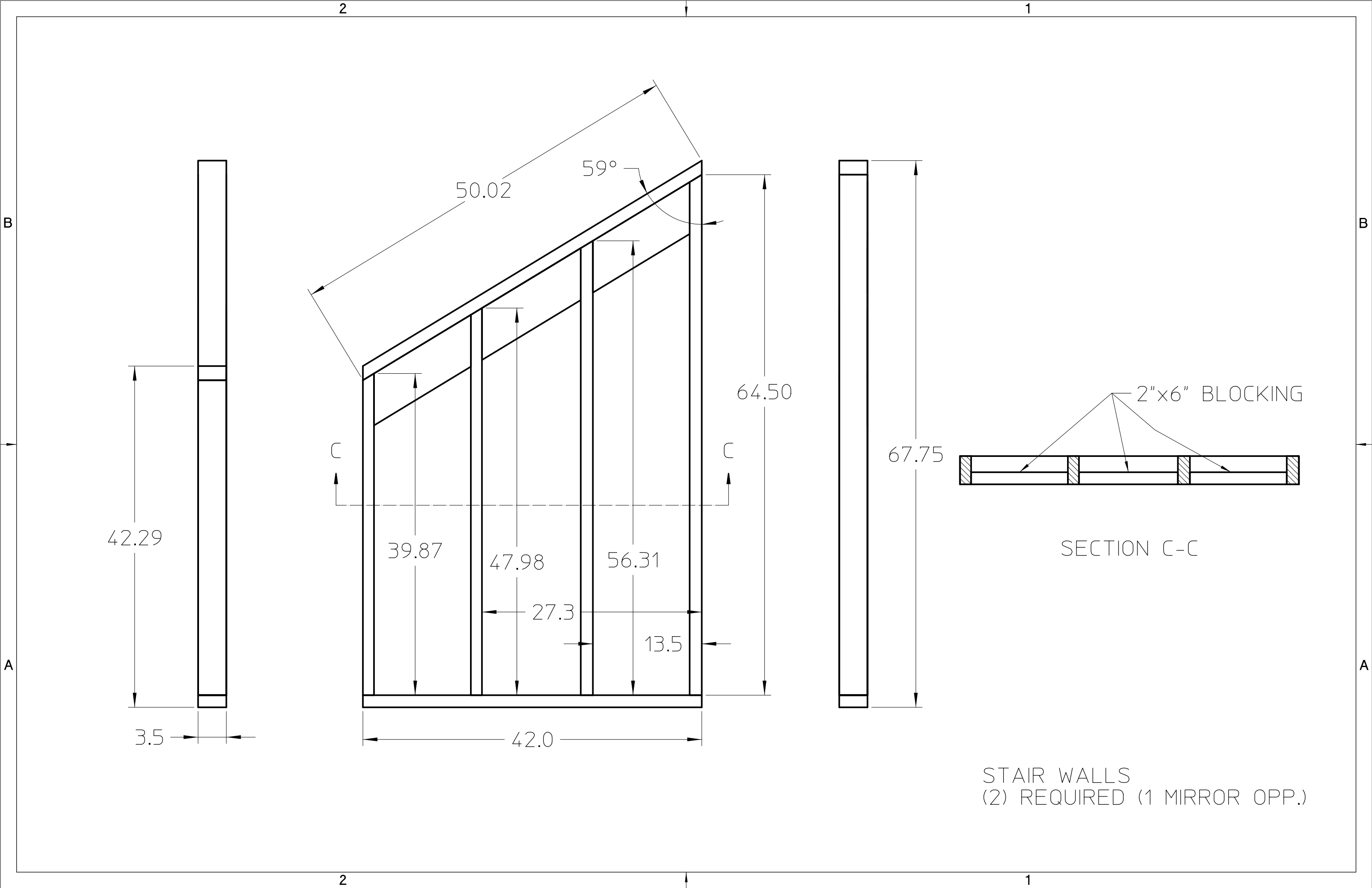
B

A

A

2

1



2

1

B

B

A

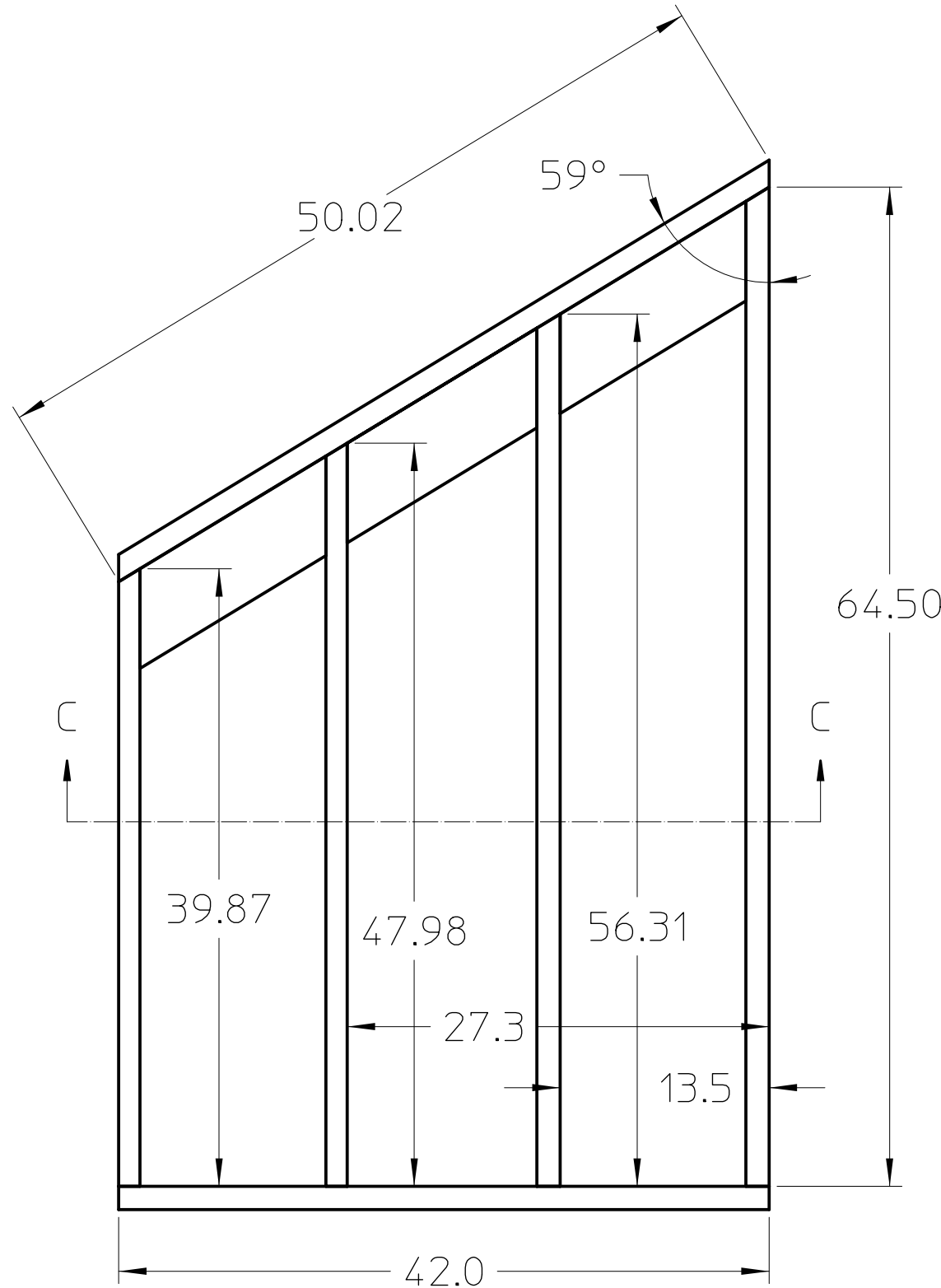
A

C

C

42.29

3.5



50.02

59°

64.50

39.87

47.98

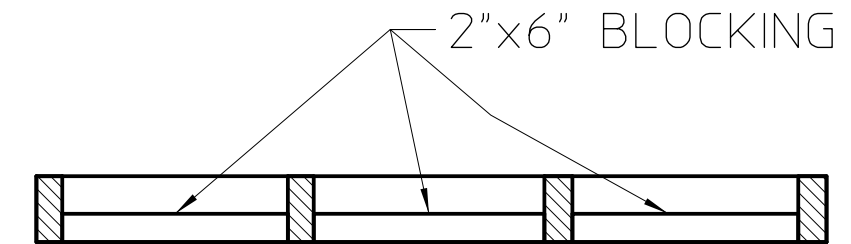
56.31

27.3

13.5

42.0

67.75



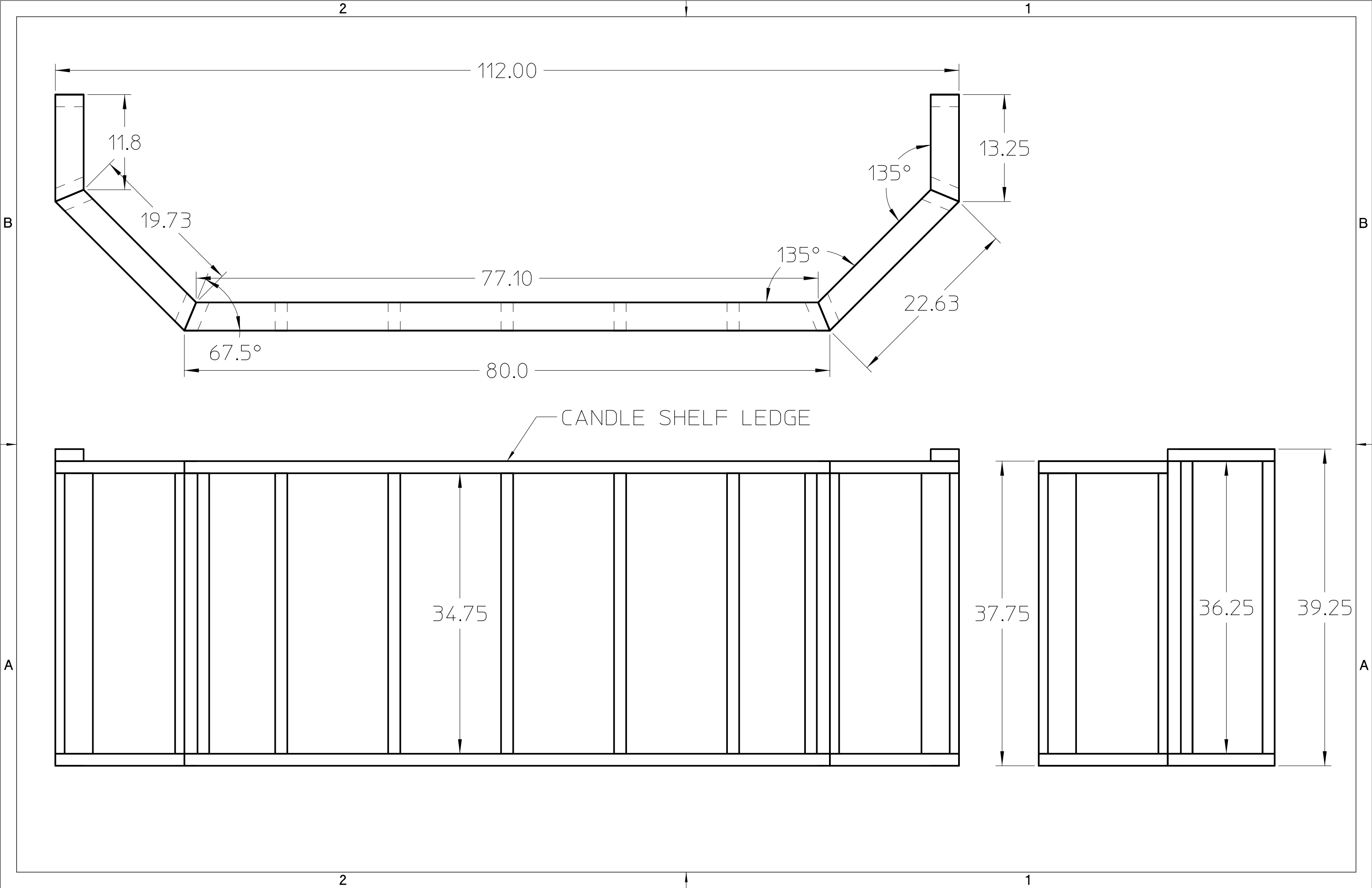
2"x6" BLOCKING

SECTION C-C

STAIR WALLS
(2) REQUIRED (1 MIRROR OPP.)

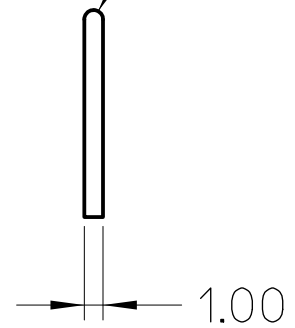
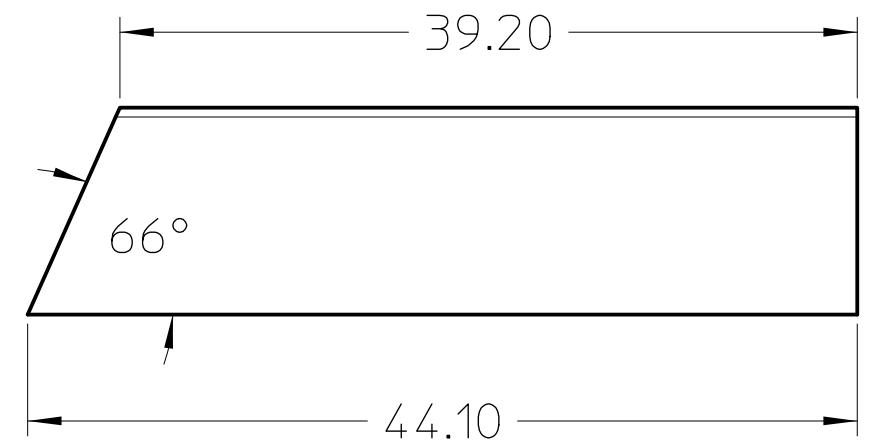
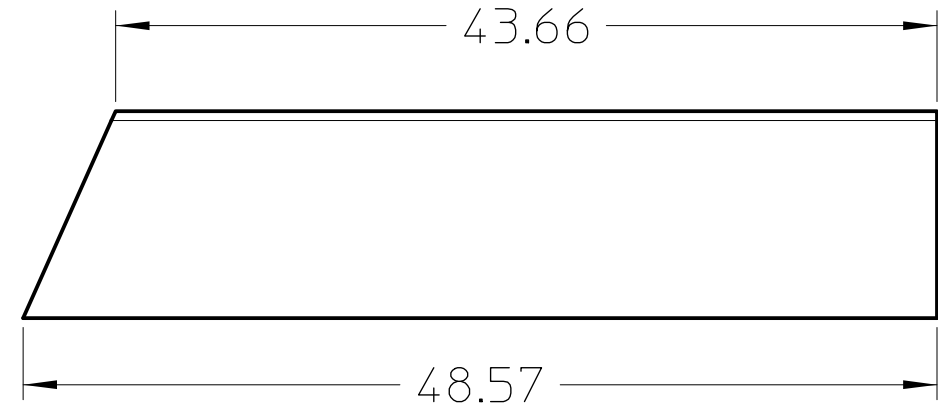
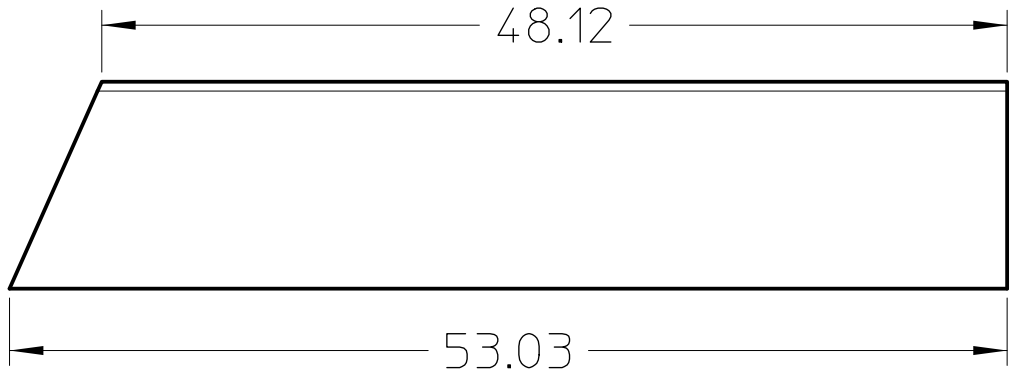
2

1



2

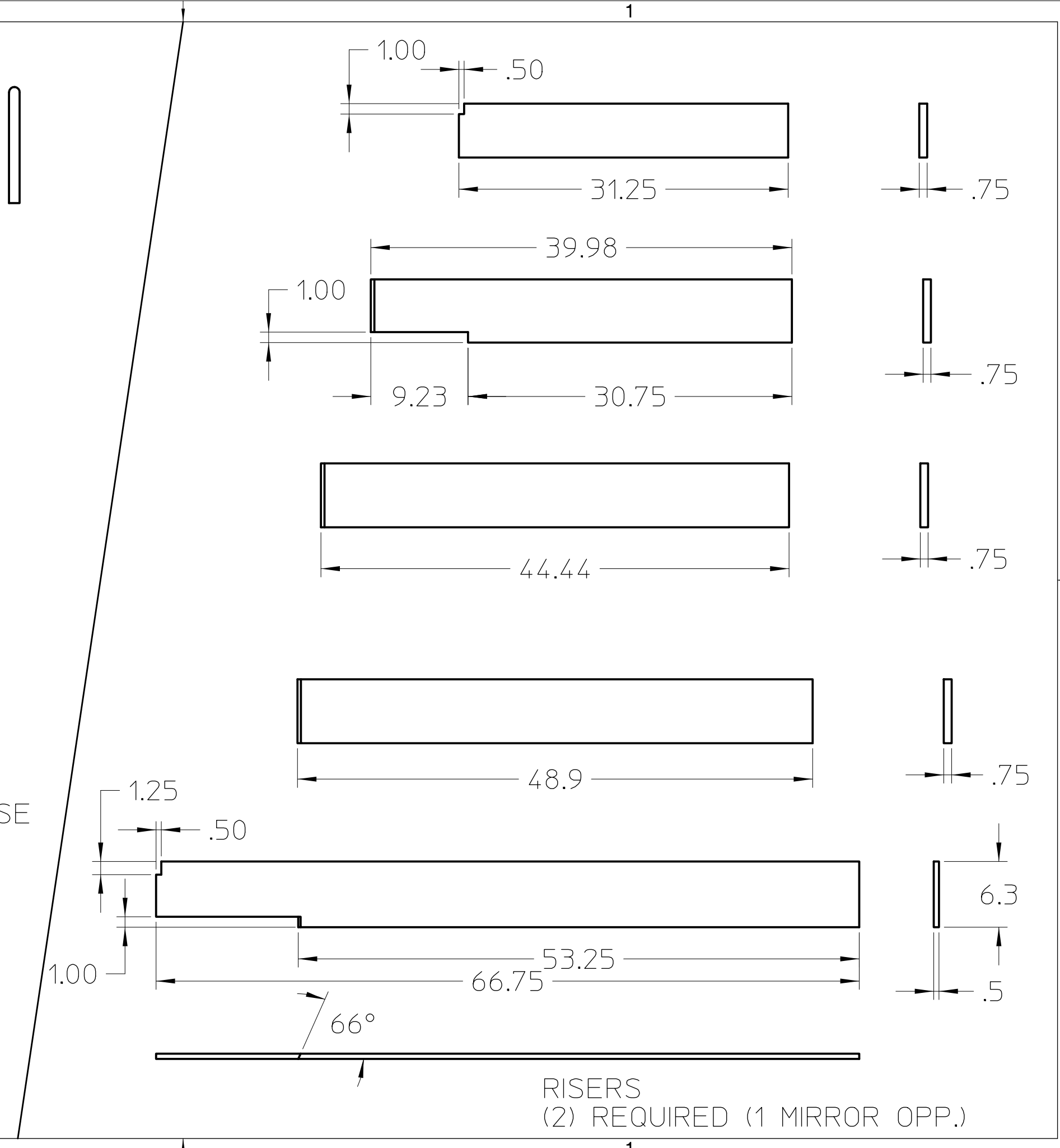
1



BULLNOSE

TREADS
(2) REQUIRED

2



RISERS
(2) REQUIRED (1 MIRROR OPP.)

1

