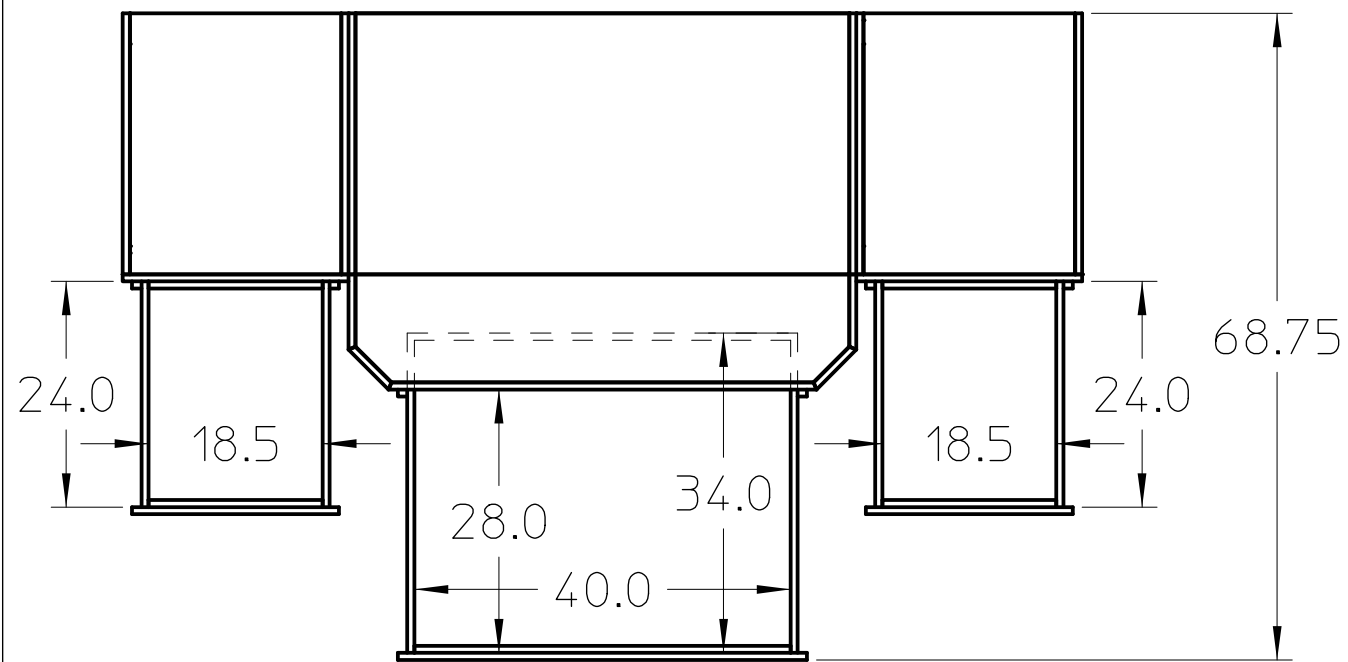
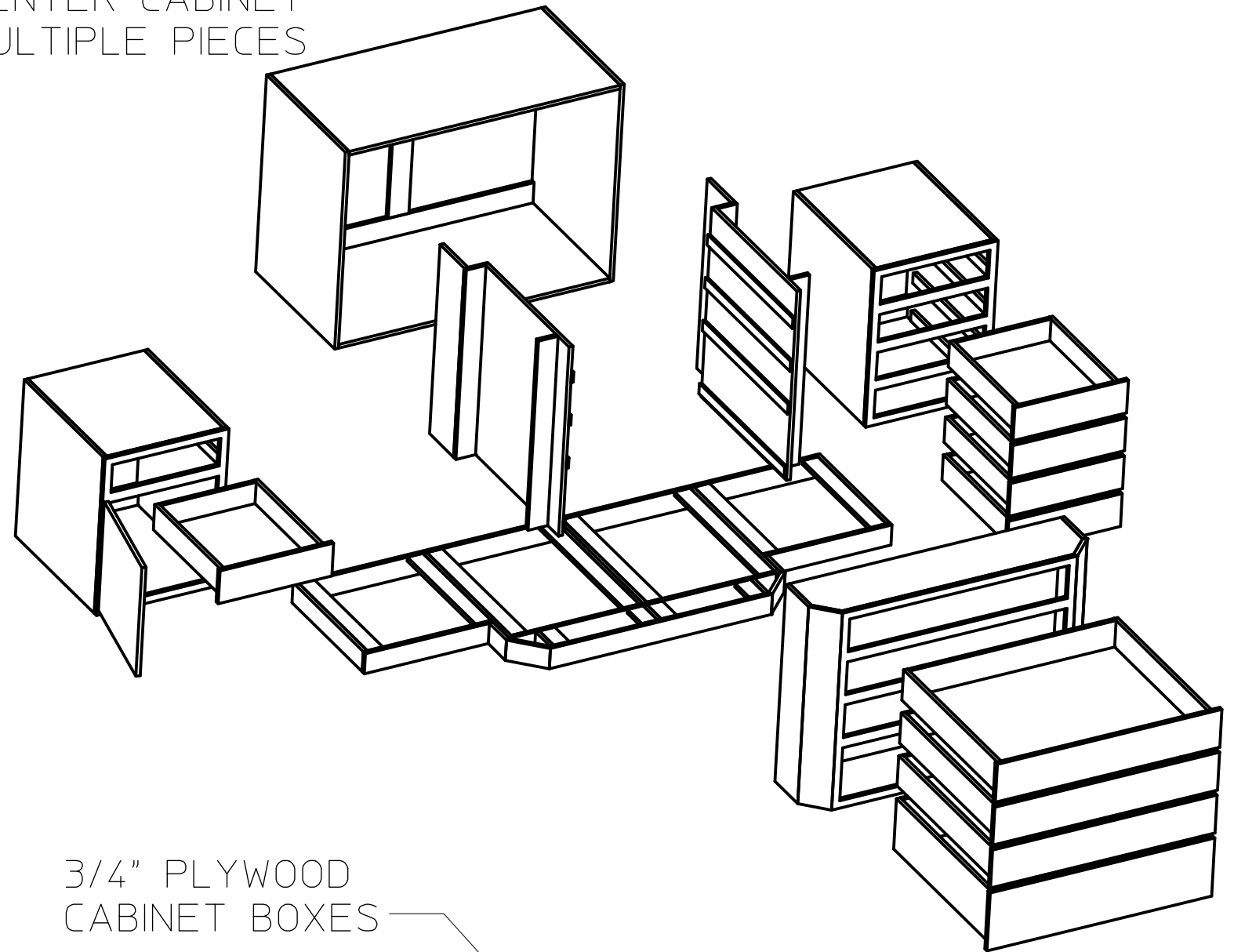


2

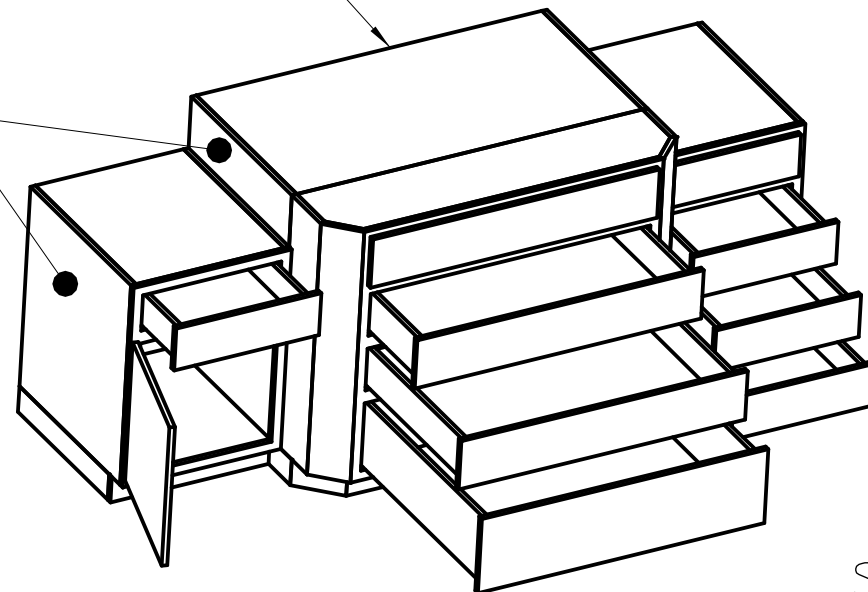


CENTER CABINET  
MULTIPLE PIECES

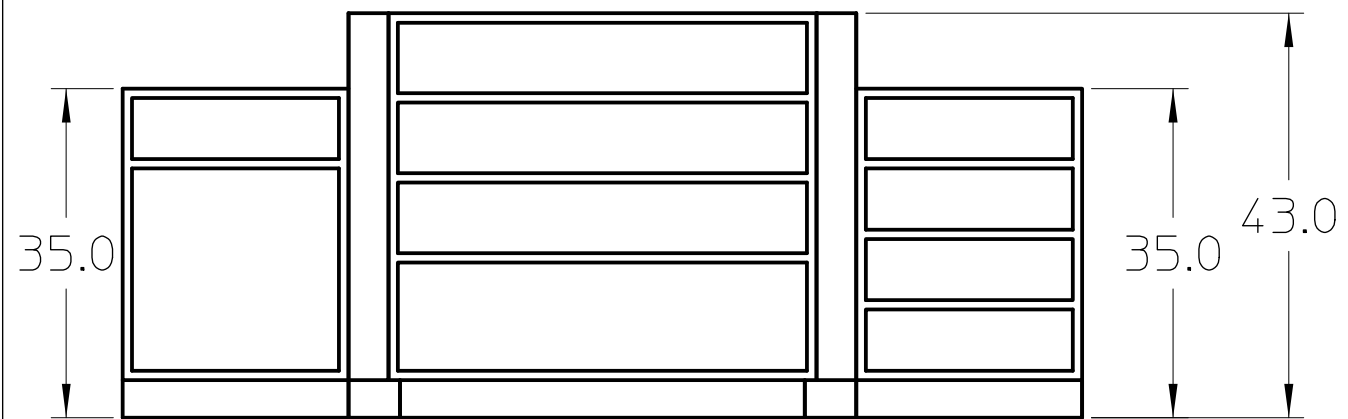
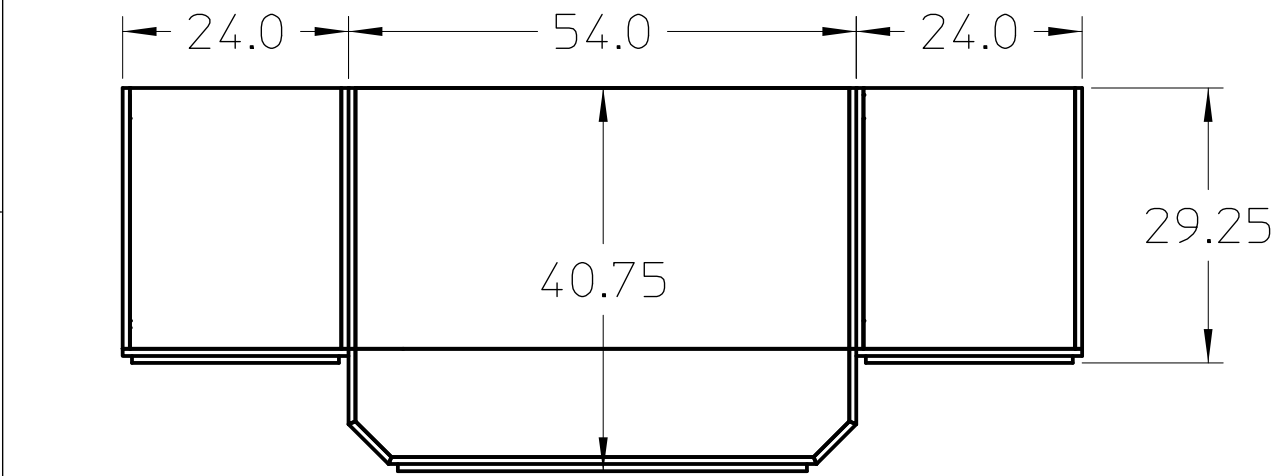


3/4" PLYWOOD  
CABINET BOXES

CHERRY  
VENEER



SOLID CHERRY  
FACES & FRAMES



2

1

drw bot 23.25"x20.1"	drw bot 23.25"x20.1"
1/2" ply	
big drw bot 33.25"x40.75"	
big drw bot 33.25"x40.75"	

drw bot 23.25"x20.1"	drw bot 23.25"x20.1"
1/2" ply	
big drw bot 33.25"x40.75"	
big drw bot 33.25"x40.75"	

drw bot 23.25"x20.1"
1/2" ply

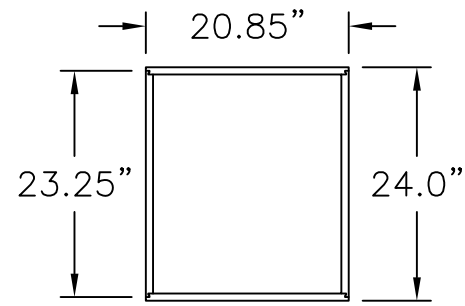
cab1 top 22.5"x27.75"	cab1 bot 22.5"x27.75"
(4) f5"x3"	
cab1 side 31"x27.75"	3/4" ply
cab1 side 31"x27.75"	

cab2 top 22.5"x27.75"	cab2 bot 22.5"x27.75"
(3) r5"x4" 3/4" ply	
cab2 side 31"x27.75"	3/4" ply
cab2 side 31"x27.75"	
c.b.flr 29.875"x4" c.b.rib 29.875"x4" c.b.flr 29.875"x4" c.b.rib 29.875"x4" front base 52.5"x4"	

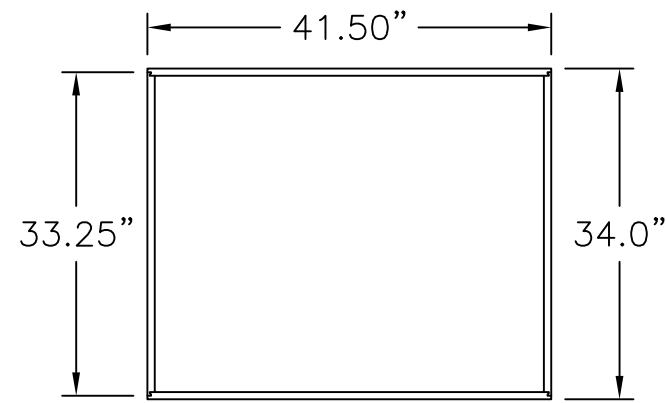
3/4" ply	
cab3 top a 52.5"x27.75"	cab3 top b 52.5" x11.5"
cab3 side a 39"x27.75"	
c.b.flr 24"x4" c.b.flr 24"x4" c.b.flr 24"x4" rear brace 52.5"x4" rear brace 52.5"x4"	
c.b.flr 24"x4" r vrt 29.5"x4"	

3/4" ply	
cab3 bot a 52.5"x27.75"	cab3 bot b 52.5" x11.5"
cab3 side a 39"x27.75"	
base, rear 50.25"x4" base, rear 50.25"x4"	

3/4" ply	
(4)37.5"x4.171"	
cab3 struct 3	
cab3 struct 3	
cab3 struct 3	
cab3 struct 3	
cab3 struct 1 37.5"x30"	cab3 str 2 37.5"x8.5"
cab3 struct 1 37.5"x30"	cab3 str 2 37.5"x8.5"



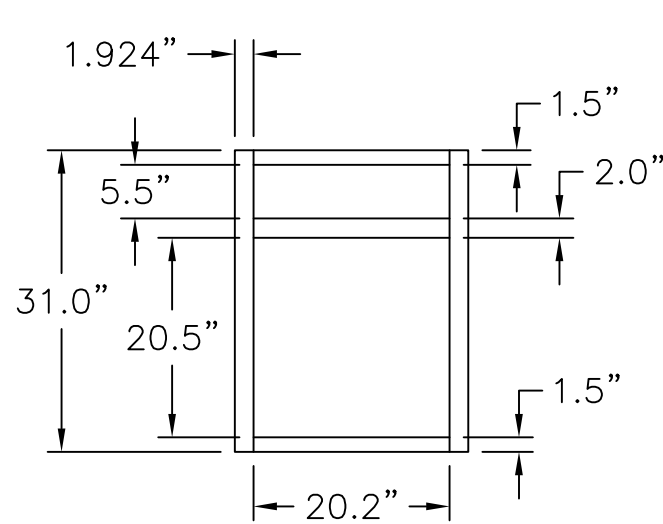
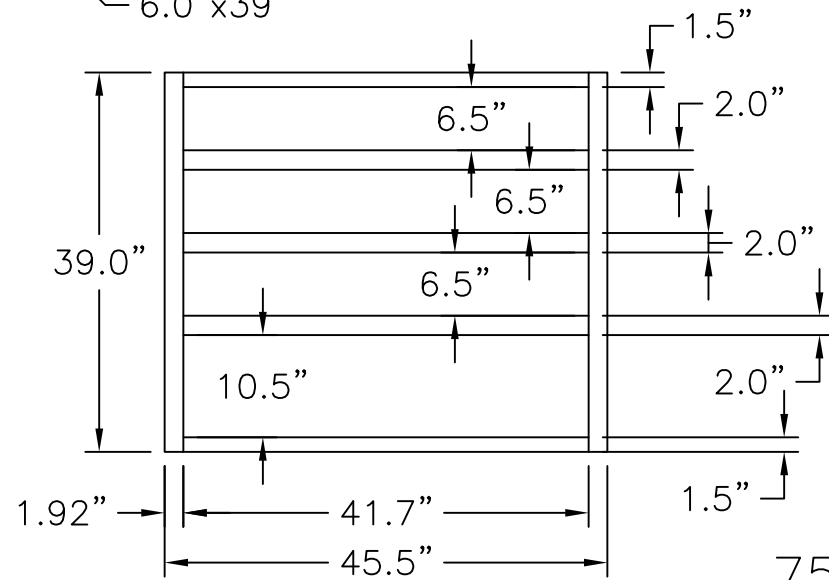
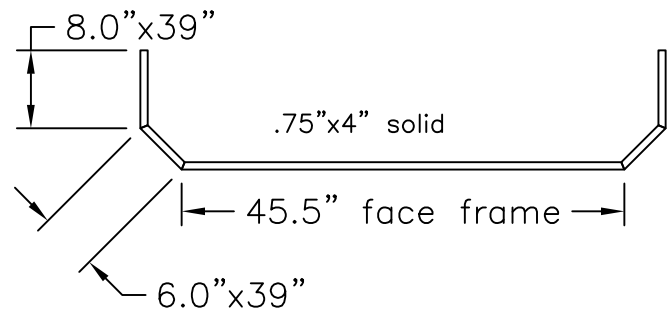
(5).75"x4.69" drawer sides



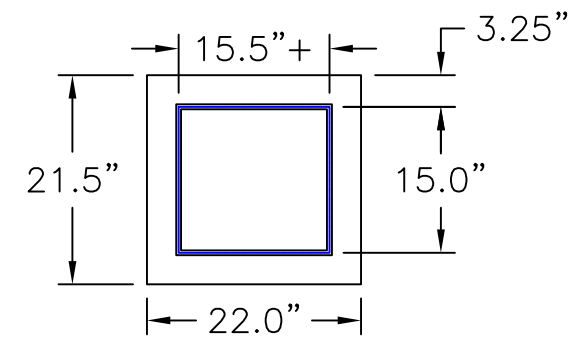
(3).75"x5.69" drawer sides

(1).75"x9.69" drawer sides

drw face solid 43.5"x7.5"	drw face solid 22"x6.5"
drw face solid 43.5"x7.5"	drw face solid 22"x6.5"
drw face solid 43.5"x7.5"	drw face solid 22"x6.5"
drw face solid 43.5"x11.5"	drw face solid 22"x6.5"
	drw face solid 22"x6.5"
	drw face solid 22"x6.5"



.75" solid face frames



(10)rail 24.5"x2"x.75"

(8)rail 30.5"x2"x.5"

